

PADDINGTON [8x6]

USER MANUAL

IMPORTANT

Read carefully. Retain for future reference



STILLA

Call us today 1800 784 552
www.stilla.com.au



SAFETY & CARE GUIDELINES

1. Take care when moving and working with the painted panels, use the supplied packaging to avoid damage to painted surfaces.
2. When arranging the shed components for initial check, do not store the panels laid down, stand up where possible.
3. Ensure you fully understand the use of power tools recommended for use in assembling this shed.
4. Eye protection should be worn when necessary, when operating power tools.
5. Suitable Gloves will protect Hands, take care when handling Roof Sheeting and other Metal components
6. Use appropriate sun protection when working outdoors.
7. Secure the shed to a suitable immovable foundation. [We recommend: Concrete Slab or Wooden Heavy Floor]
8. Team lifting of heavy items is recommended to avoid injury.
9. Touch up paint is provided in the installation kit to address minor marks / blemishes to painted surfaces.
10. Do not stand or walk on the roof.
11. Do not lay down panels without protecting the paint

1. **UNPACK & CONFIRM**

Read the safety & care and guidelines. Every part needed to construct your shed is included inside the pack; Frames; panels; doors; windows; hardware kits & roofing.

Fully unpack all the parts & check against the parts checklist, that follows.

Please contact customer service about anything you believe may be missing or damaged. Thank-you!

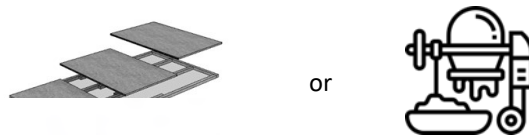


Preparing your site

The installation location needs to be flat, level and solid. Pavers or a solid material that will not be affected by weather can be used to perfectly level the shed by placing under the floor frame where required, make sure all members are supported. If the location is sloped we recommend making level with a slab or Timber floor.



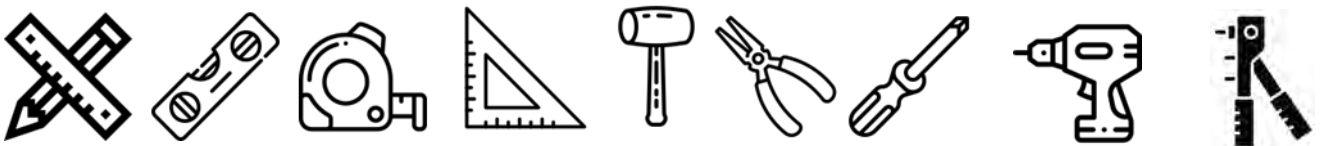
If you are installing your shed on a Stilla floor, this can be placed on unlevelled surfaces and levelled up by using the 100x100 stumps provided. A separate detail is provided for Floor Installation.



For external access during assembly, ensure there is adequate space around the perimeter of the shed assembly space.

Assemble in order presented in this manual. Do not skip any processes.

TOOLS REQUIRED



Light coloured crayon/chinagraph pencil white/yellow.

Phillips Bit (PH2), Batten Screw Bit, Phillips Bit #2, 5/16" Hex driver, Drill Bits 3mm & 4mm, Countersink Bit (or Combination.)



This product requires a minimum of 2 persons to assemble.

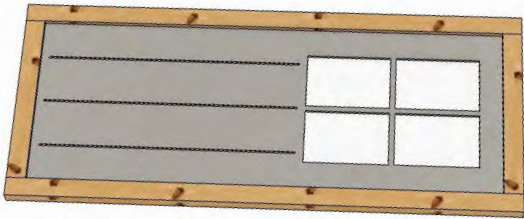
SHED COMPONENTS

Carefully unpack all the items from shipping carton. Layout in a clean and safe area. Please check you have all components and they have no defects before proceeding.





Door Assembly

[2]

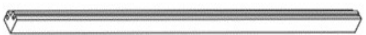
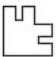



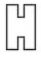

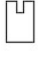

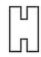

Door Assy, Door pre assembled







WALL — BOTTOM PLATE

<p>[2]</p>  <p>FS295T2, Frame Sill, 70mm x 45mm x 295mm Tenon both Ends.</p>	<p>[2]</p>  <p>FS1130T2, Frame Sill, 70mm x 45mm x 1130mm Tenon both Ends</p>	<p>[4]</p>  <p>FS877T2, Frame Sill, 70mm x 45mm x 877mm Tenon both Ends</p>	<p>[36]</p>  <p>FB20MO/SM Stich Screw #6 x 20mm, Flat Button Head, Panel Fixing to Sill</p>
--	---	--	---

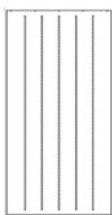
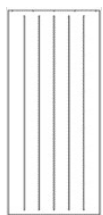

WALL — UPRIGHTS

<p>[4]</p>   <p>CP1926 Pine, 70mm x 70mm x 1926mm, Corner Post, Plain Ends</p>	<p>[1]</p>   <p>DG1130 Pine, 70mm x 45mm x 1130mm, Double Groove, Plain End</p>
<p>[1]</p>   <p>DG1217A1 Pine, 70mm x 45mm x 1217mm, Double Groove, Apex Angle top.</p>	<p>[2]</p>   <p>SG1926A1 Pine 70 x 45 x 1926mm, Single Groove. Miter Top</p>
<p>[2]</p>   <p>DG1926 Pine 70x45x1926mm, Double Groove Plain ends</p>	<p>[160]</p>  <p>PS32CSK, Phillips Screw #6 x 32mm, Countersunk. Panel Fixing to Frame</p>

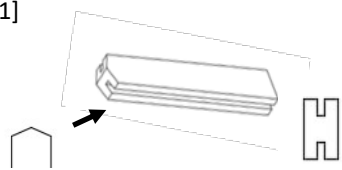
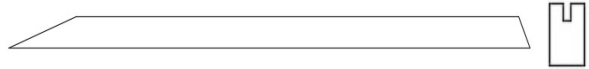


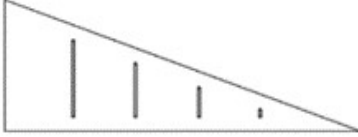
WALL —TOP PLATE

<p>[1]</p>  <p>SG1740A2, Pine, 70mm x 45mm x 1740mm, Single Groove, Miter</p>	<p>[2]</p>  <p>DG1130T2, Pine, 70mm x 45mm x 1130mm, Double Groove, Tenon Ends.</p>
<p>[4]</p>  <p>SG877T2, Pine, 70mm x 45mm x 877mm, Single Groove, Tenon Ends.</p>	<p>[2]</p>  <p>DG295T2, Pine, 70mm x 45mm x 295mm, Double Groove, Tenon Ends.</p>










WALL - PANELS

<p>[2]</p>  <p>P1130, Weathertex Panel 1130 x 1824 x 9.5mm, Grooved</p> <p>WP1130x1824 [Optional replaces P1130x1824]</p>	<p>[4]</p>  <p>P877, Weathertex Panel 877 x 1824 x 9.5mm, Grooved</p> <p>WP877x1824 [Optional replaces P877x1824]</p>	<p>[2]</p>  <p>P295, Weathertex Panel 295 x 1824 x 9.5mm, Grooved</p>
--	--	---


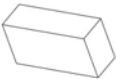


ROOF—Gable Frame

<p>[1]</p>  <p>DG421A Pine 70 x 45 x 421mm, Apex angle cut</p>	<p>[4]</p>  <p>SG1299A, Pine, 70 x 45 x 1299mm, Single Groove Angled cut (x4)</p>	<p>[44]</p>  <p>PS32CSK, Phillips Screw #6 x 32mm, Countersunk. Panel Fixing to Door Frame</p>
<p>[2]</p>  <p>GPL, Gable Panel Left, 1095 x 454 x 9.5mm, 22.5 Degree Pitch</p>	<p>[2]</p>  <p>GPR, Gable Panel Right, 1095 x 454 x 9.5mm, 22.5 Degree Pitch</p>	



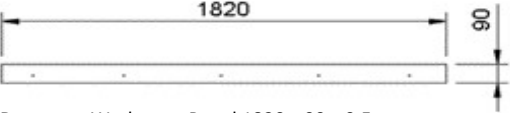
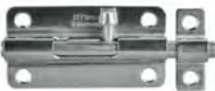


ROOF FRAME

<p>[4]</p>  <p>REP1797, Roof End Plate, Pine 70 x 45 x 1797mm.</p>	<p>[6]</p>  <p>RF1135, Roof Frame, Pine 70 x 45 x 1135mm.</p>		
<p>[6]</p>  <p>RS1400 MO/SM, 6 Rib Roof Sheet 1400mm.</p>	<p>[2]</p>  <p>RC1200 MO/SM, Ridge Cap (A) 1200mm .</p>	<p>[12]</p>  <p>RD-AS2MO/SM, Rivet AS2.</p>	<p>[44]</p>  <p>BS75, Batten Screw 75mm Galvanized.</p>
<p>[4]</p>  <p>CH1200 MO/SM, Channel 1200mm.</p>	<p>[68]</p>  <p>RS50MO/SM, Roofing Screw, #8 x 50mm Neoprene Sealing.</p>		<p>[4]</p>  <p>BS125, Batten Screw 125mm Galvanized.</p>



FACIA

<p>[4]</p>  <p>F1500, Painted Facia, 100 x 19 x 1500mm, 22.5 Degree.</p>	<p>[12]</p>  <p>FB112, Painted Block 70 x 45 x 112mm, Facia Spacing Block</p>	<p>[12]</p>  <p>PS32, Phillips Csk Screw #6 x 32mm Treated Pine, Fix F1500 to FB145 .</p>	<p>[12]</p>  <p>BS100, Bugle Batten Screw 100mm Galvanized, Fix FB140 to Gable.</p>
---	--	--	---

FURNITURE

<p>[1]</p>  <p>THB, "T" Handle Black with fixings, Keys and Locking Quadrant</p>	<p>[4]</p>  <p>TH150B, "T" Hinge 150mm, Black with fixings</p>	<p>[3]</p>  <p>DS1820x90, Doorstop, Wethertex Panel 1820 x 90 x 9.5mm</p>
<p>[2]</p>  <p>BB100SS, Barrel Bolt, SS, 100mm plus Hinge Screws [12]</p>	<p>[30]</p>  <p>FB20MO/SM, Stich Screw #6 x 20mm, Flat Button Head, DS Fixing to Door (x8)</p>	<p>[1]</p>  <p>DST1800, Door Stop Top, Weathertex 1800 x 83mm</p>

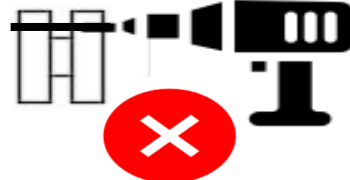
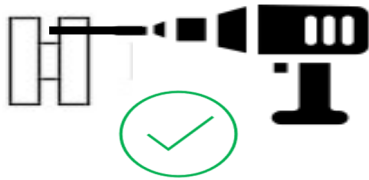
MISCELLANEOUS

<p>[1]</p>  <p>TU MO/SM, Paint Touchup Monument / Surfmist 500ml</p>	<p>[1]</p>  <p>Sil-MO/SM, Silicone sealant 300ml – coloured</p>
--	---

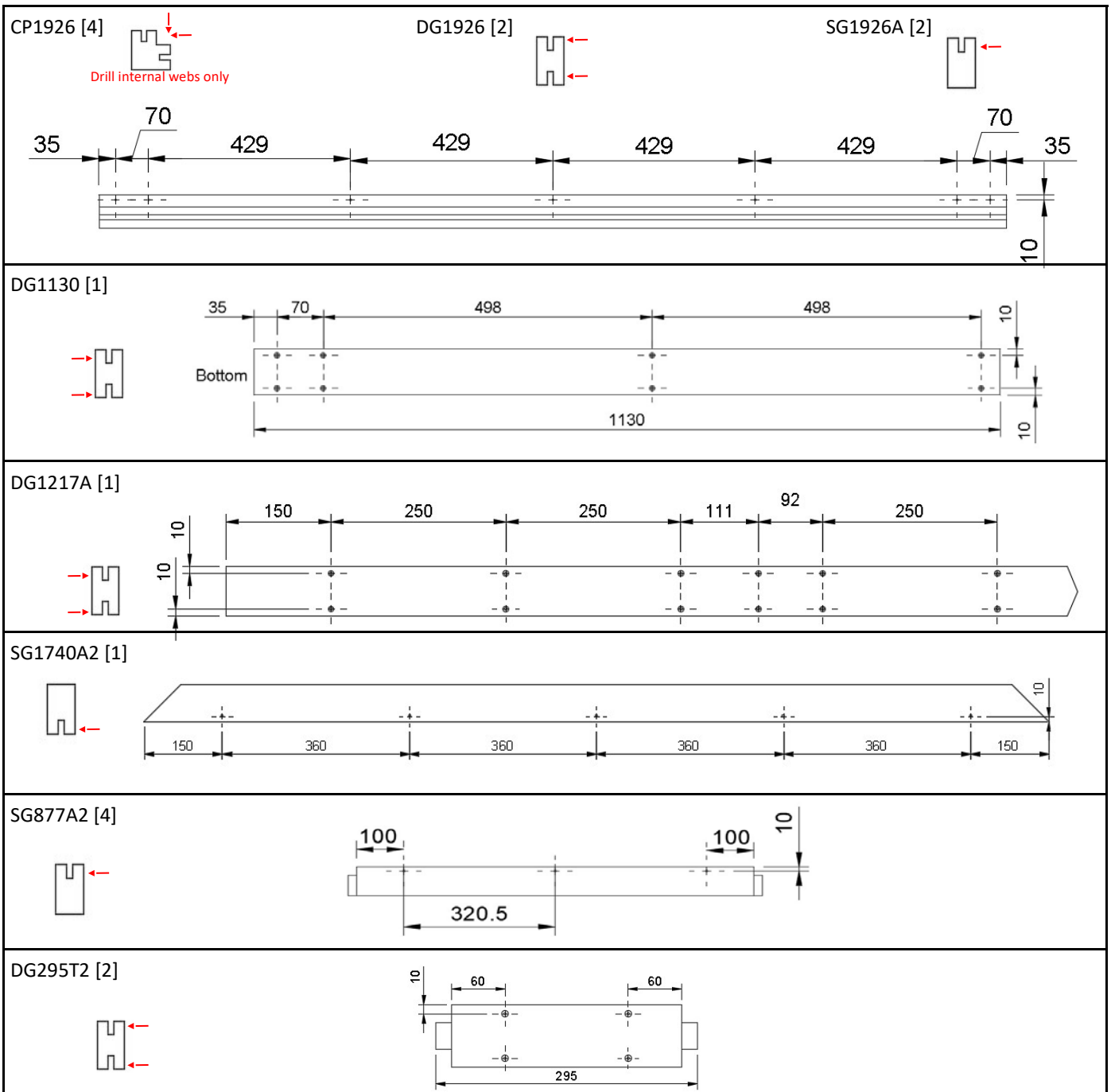
WALL CONSTRUCTION—Frame Pre-drilling

MATERIAL SELECTION - Pre-select top plate and upright components for assembly, timber is a natural material, selecting best the best side of components will help the aesthetics of the finished shed.

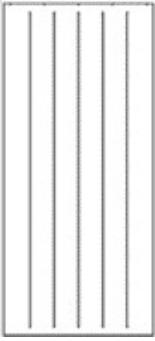
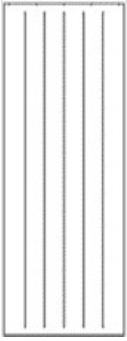






1

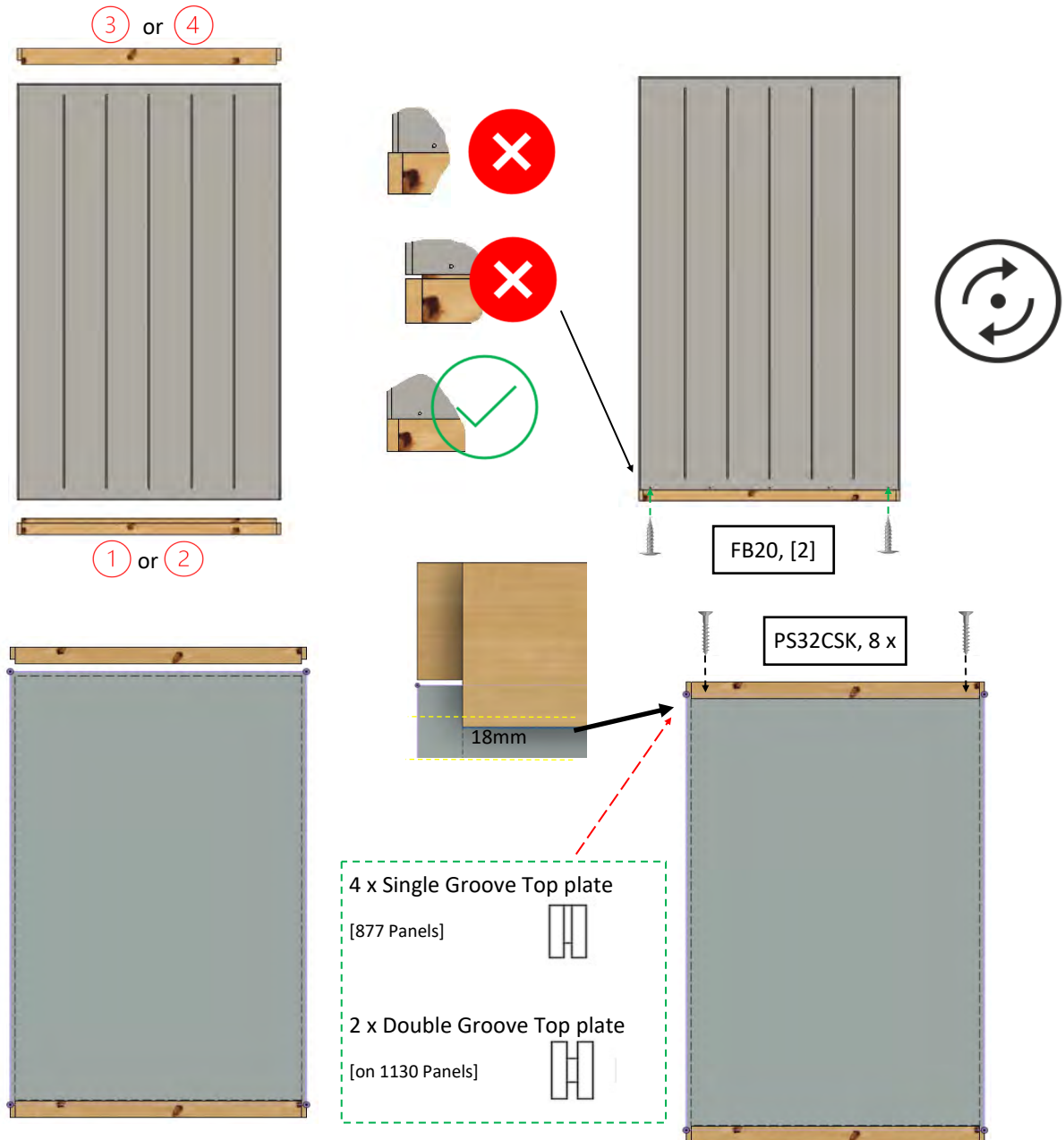


PRE-DRILL - 3mm



Wall Panels Top / Bottom Plates

2	[2]  P1130x1824	[4]  P877x1824	[2]  FS1130 ①	[12]  FB20 MO/SM
			[4]  FS877T2 ②	
			[4]  SG877T2 ③	[24]  PS32CSK
			[2]  DG1130T2 ④	



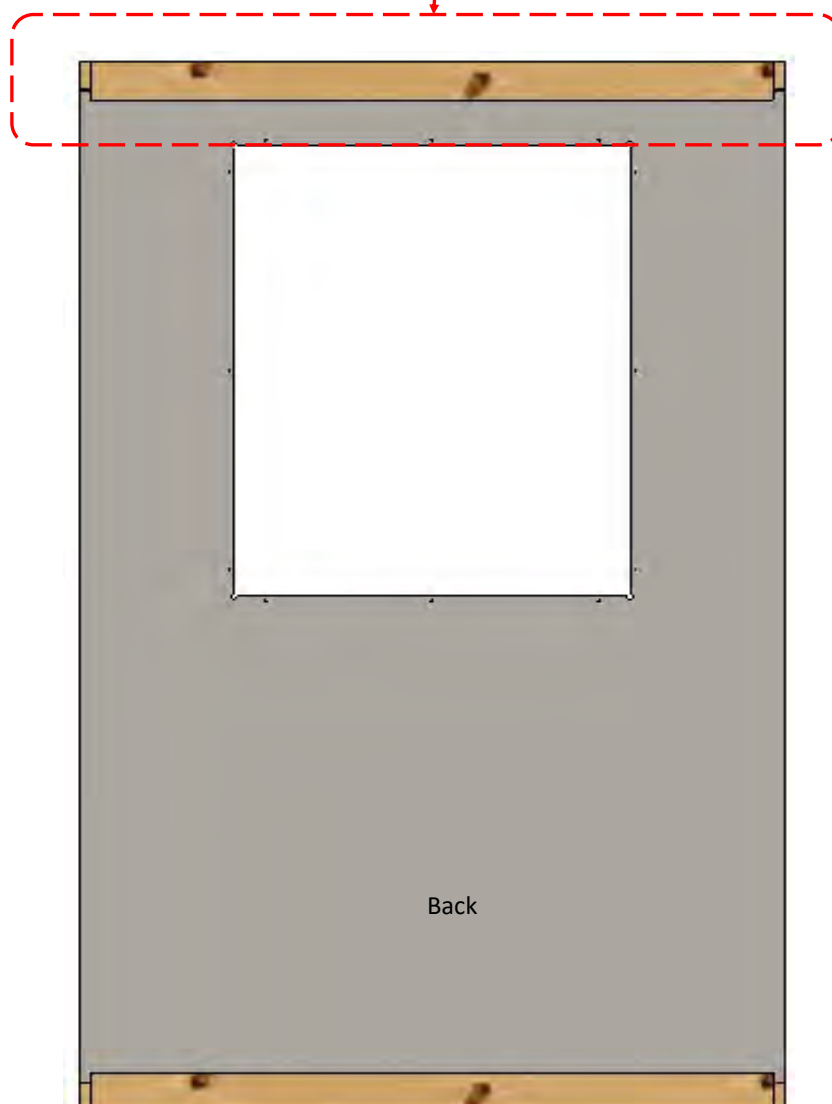
OPTIONAL: OPENING WINDOW PANEL [1130 or 877]

NOTE: Window position in shed, will determine Top Plate configuration.

If to be on the Back wall [Opposite doors]. DG1130T2 should be fitted.



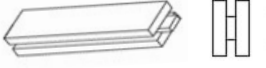
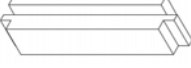

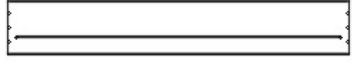
If to be placed in side walls SG877T2 is required.

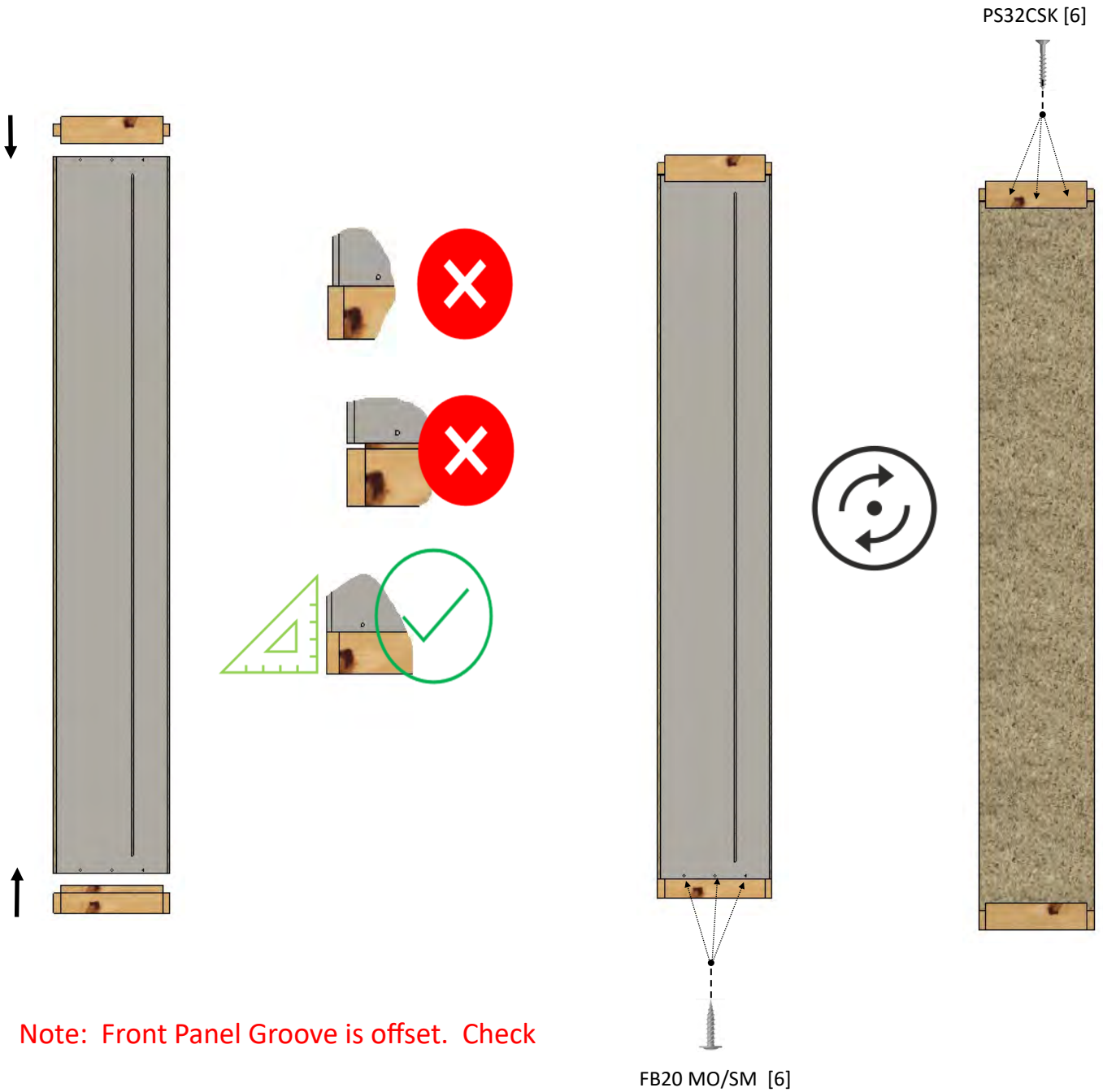


Overall height of panels should be equal to vertical beams [1926mm].




CP1926 or DG1926 can be used as a gauge to ensure ideal panel height of the top plate component.

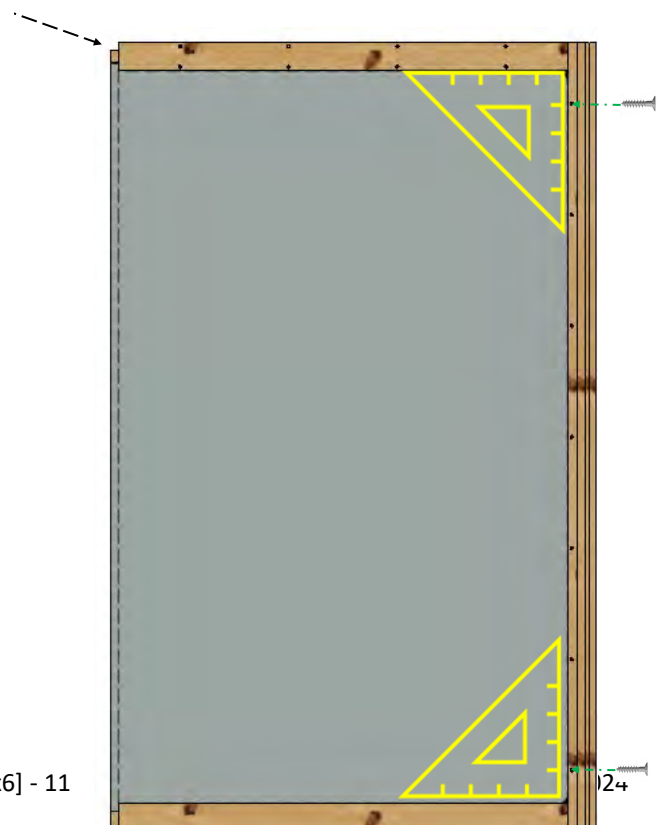
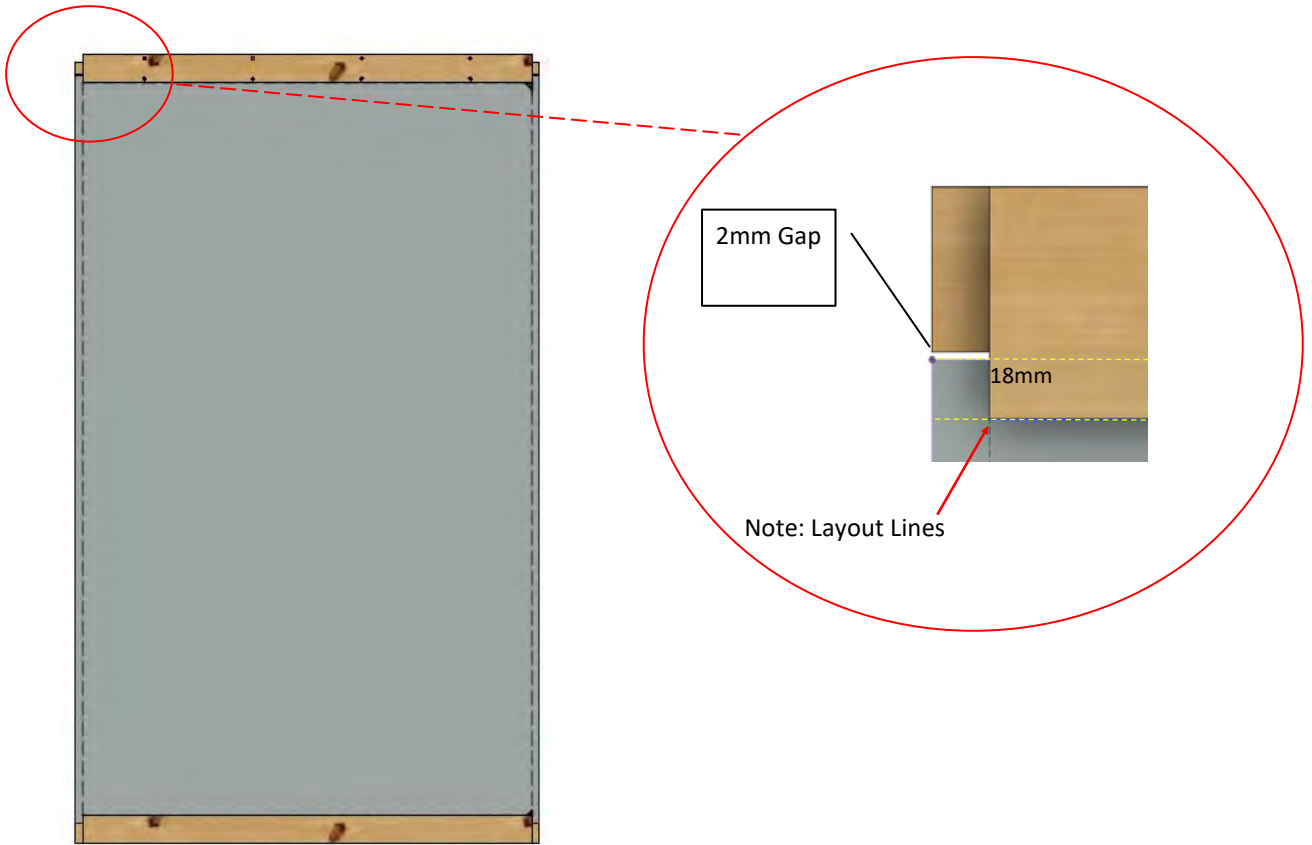
Front Panel Top / bottom Plates

3	[2]  DG295T2	[2]  FS295T2	[6]  FB20 MO/SM
	[2]  P295x1824		



Fit Corner Post [1]

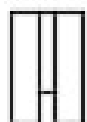
<p style="text-align: center; font-size: 2em;">4</p>	<p>[1]</p>  <p>877 Panel Assy Or WP Assy</p>	<p>[1]</p>  <p>CP1924</p>	<p>[2]</p>  <p>PS32CSK</p>
--	---	---	---



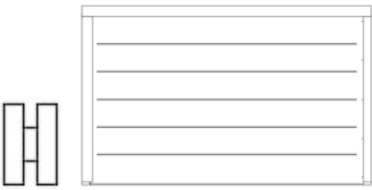


Construct a panel with Corner post on Right Rear face

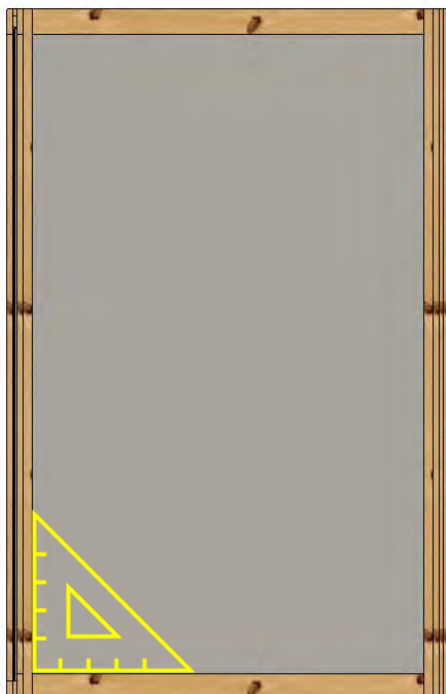
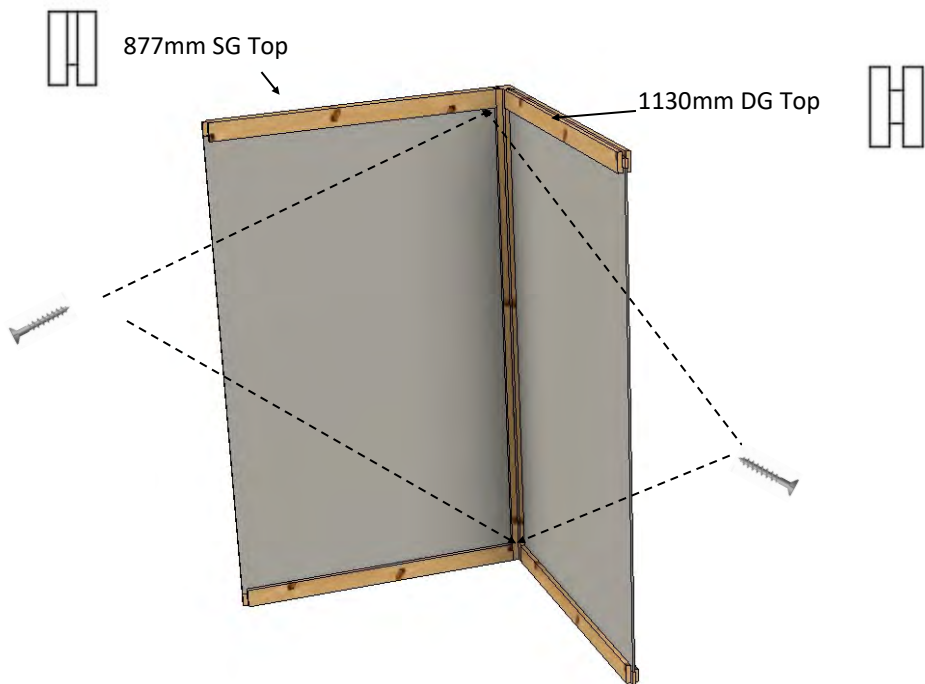
[as per image >]

With SG top Rail [for Side wall]





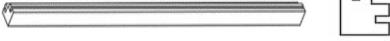


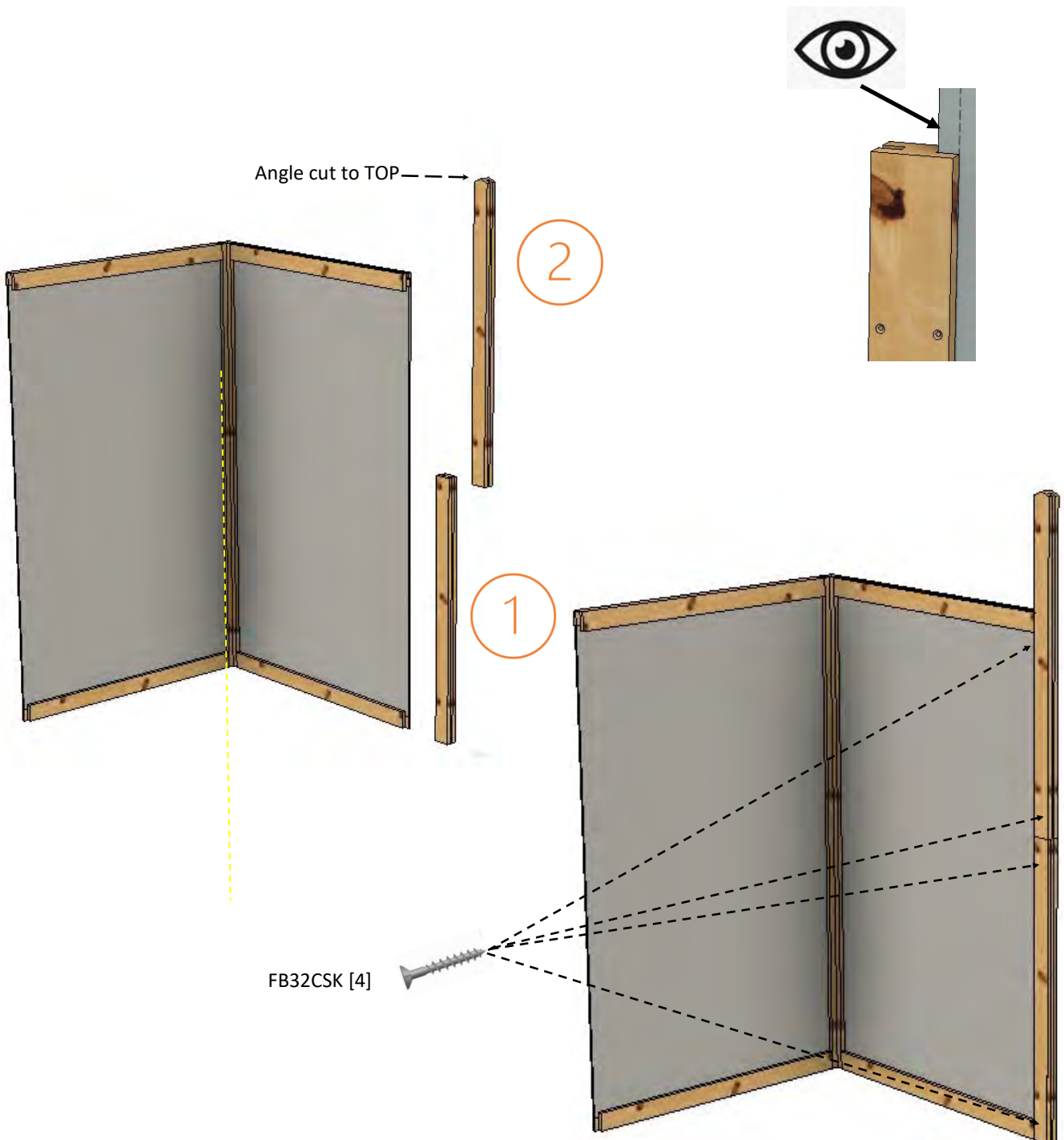
First Corner [1]

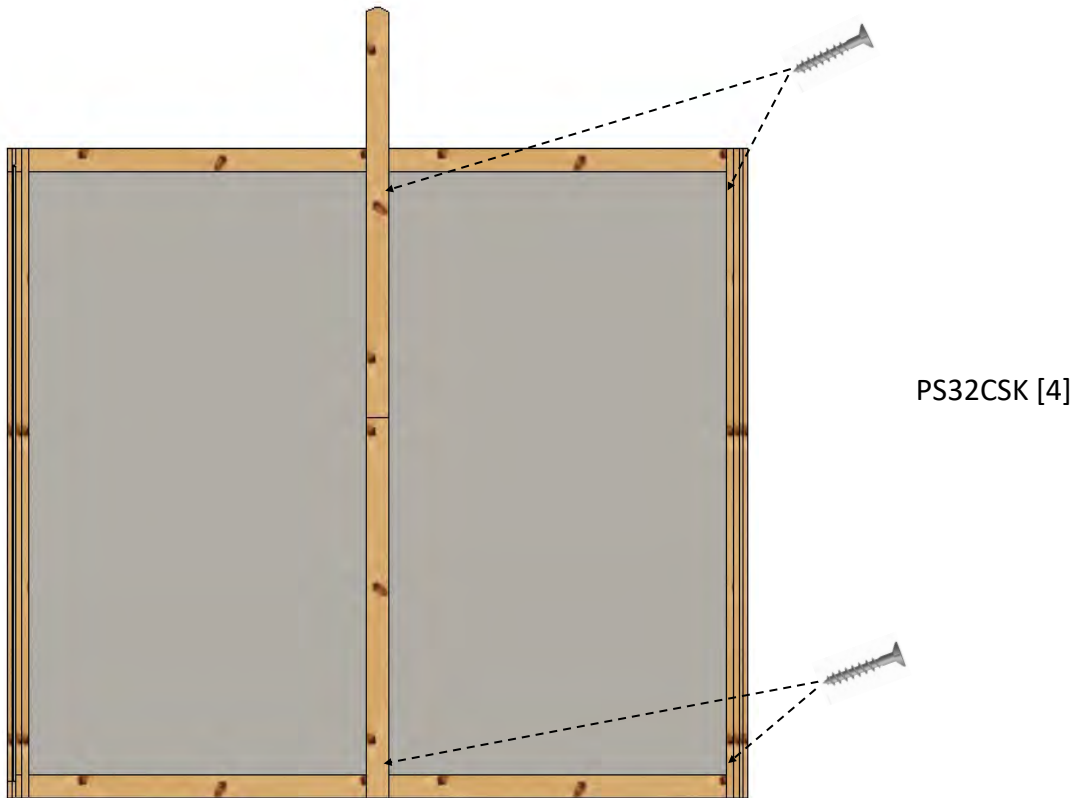
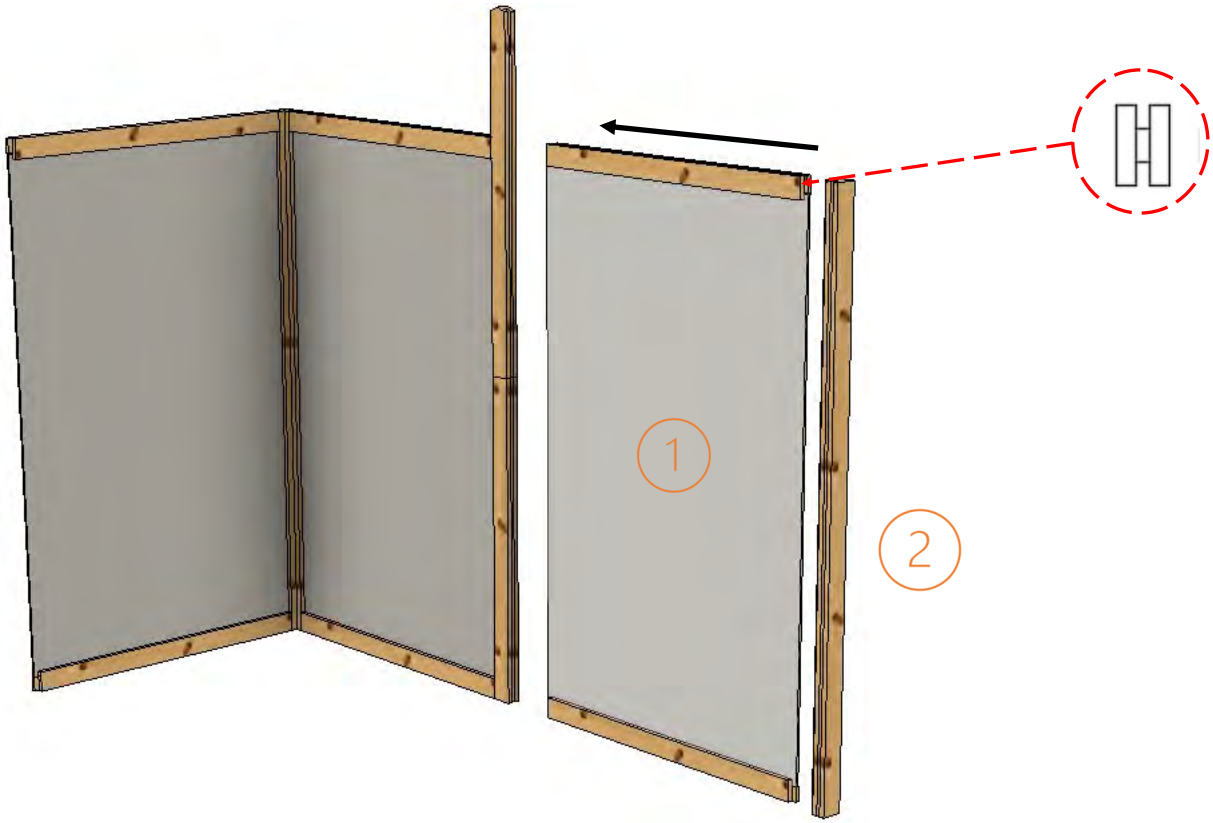
<p>[1]</p> <p>5</p>  <p>1130 Panel Assy + DG Top +CP</p>	<p>[4]</p>  <p>PS32CSK</p>	<p>[1]</p>  <p>877 Panel Assy + SG Top</p>
---	---	---






Back Wall

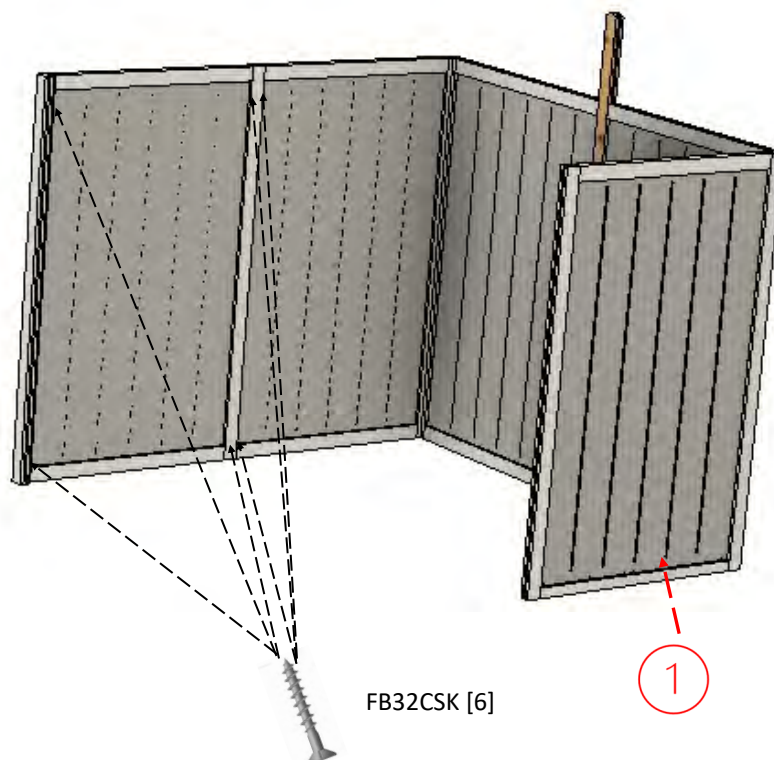
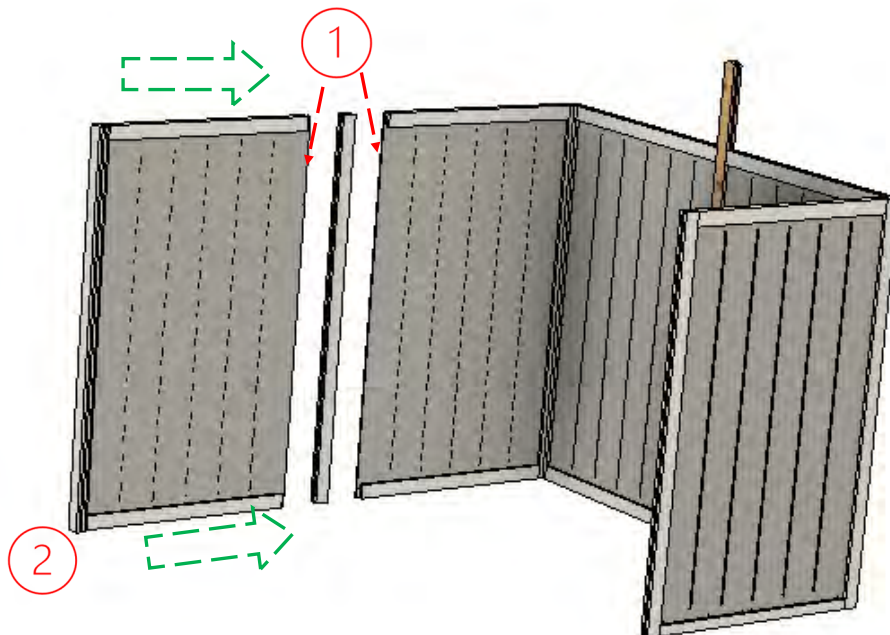
<div style="border: 1px solid black; border-radius: 50%; width: 40px; height: 40px; display: flex; align-items: center; justify-content: center; margin: 0 auto;">6</div>	<p>[1]</p>  <p>DG1130 1 </p>	<p>[1]</p>  <p>DG1217A1 2 </p>	<p>[4]</p>  <p>PS32CSK</p>
	<p>[1]</p>  <p>1130mm Panel Assy [DG Top] 1 </p>	<p>[1]</p>  <p>CP1924 2 </p>	



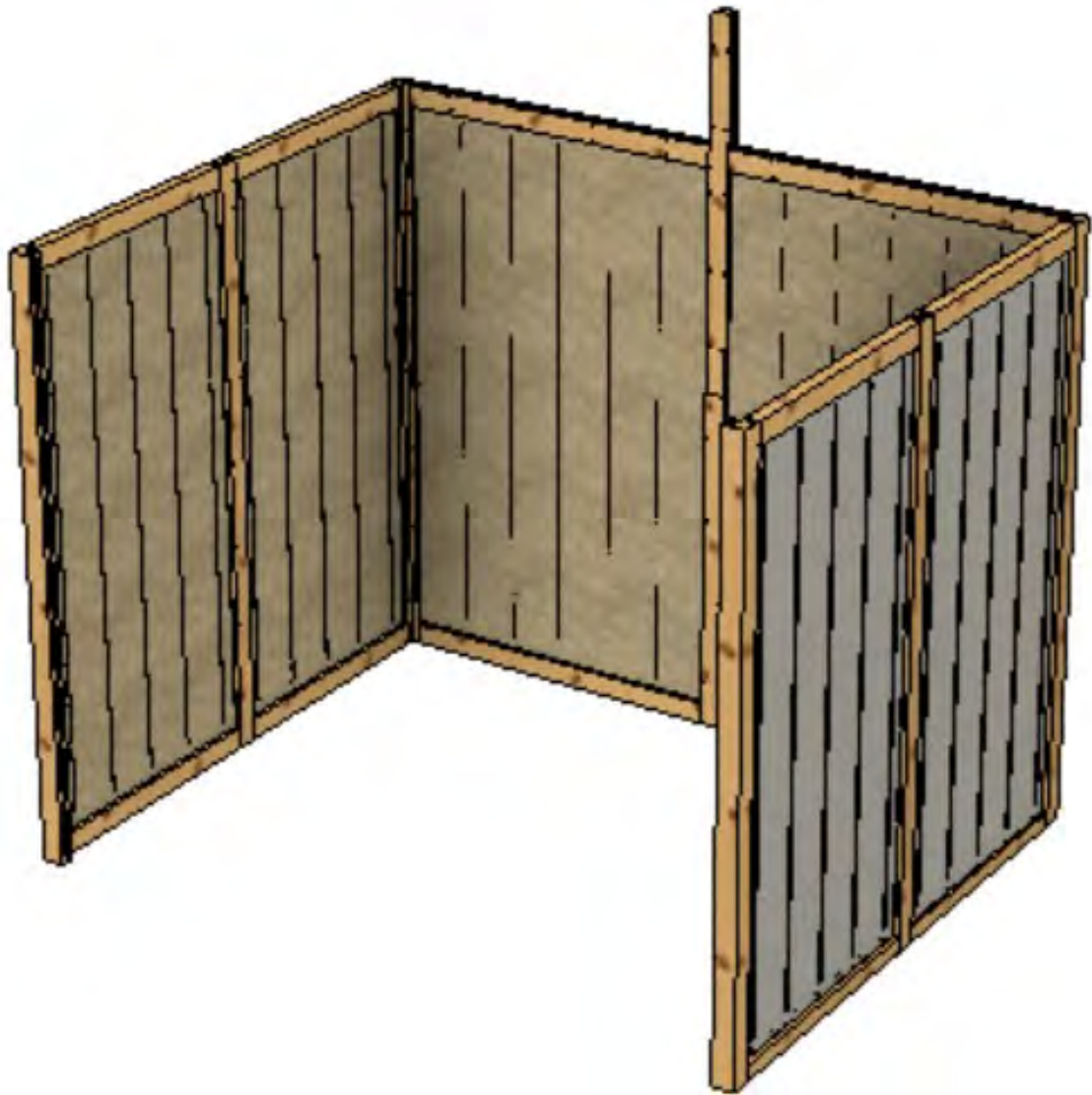




Side Walls

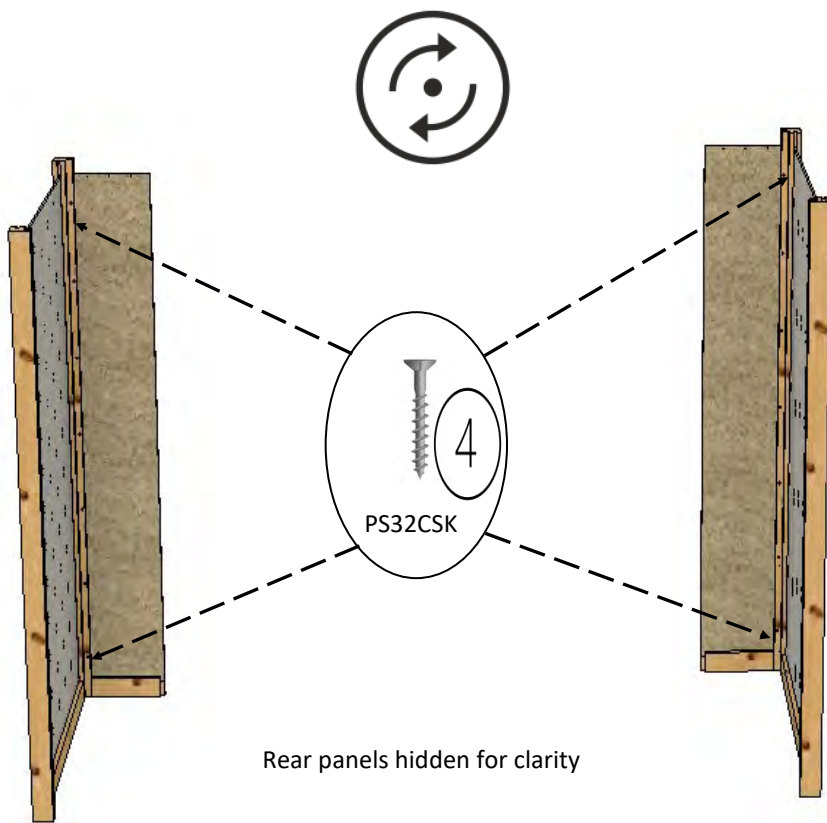
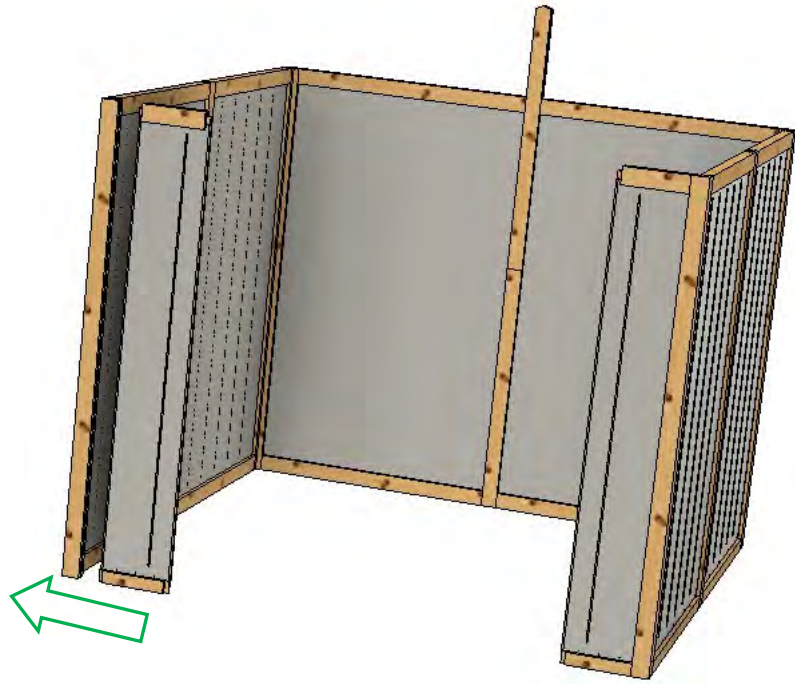
<p>7</p>	<p>[3]</p>  <p>877mm Panel Assy [SG Top]</p>	<p>[1]</p>  <p>CP1924</p>	<p>[4]</p>  <p>PS32CSK</p>
----------	---	---	---



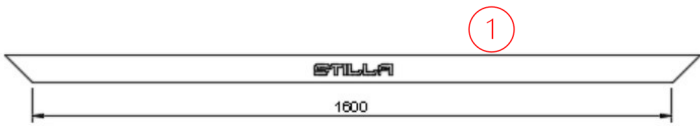

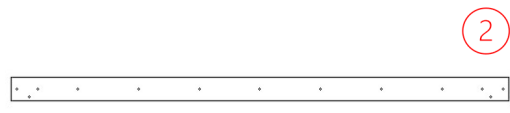
Mirror assembly for other side wall.

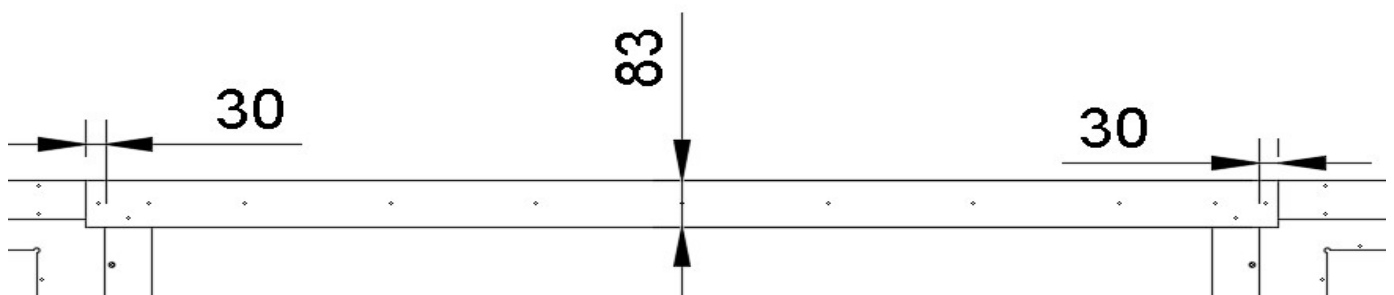
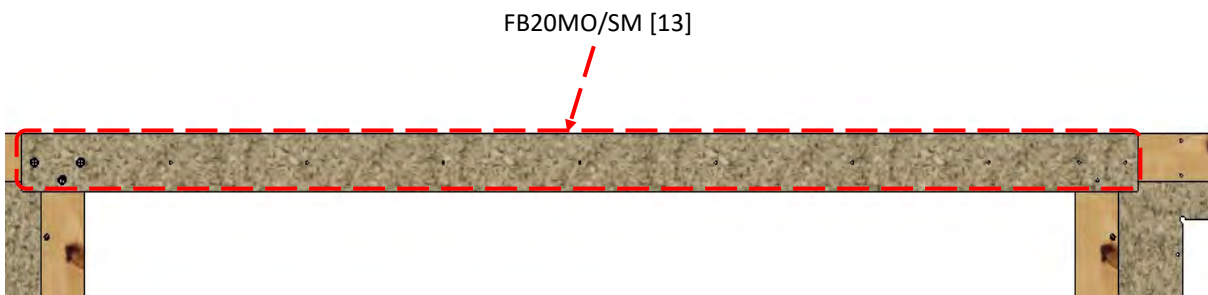
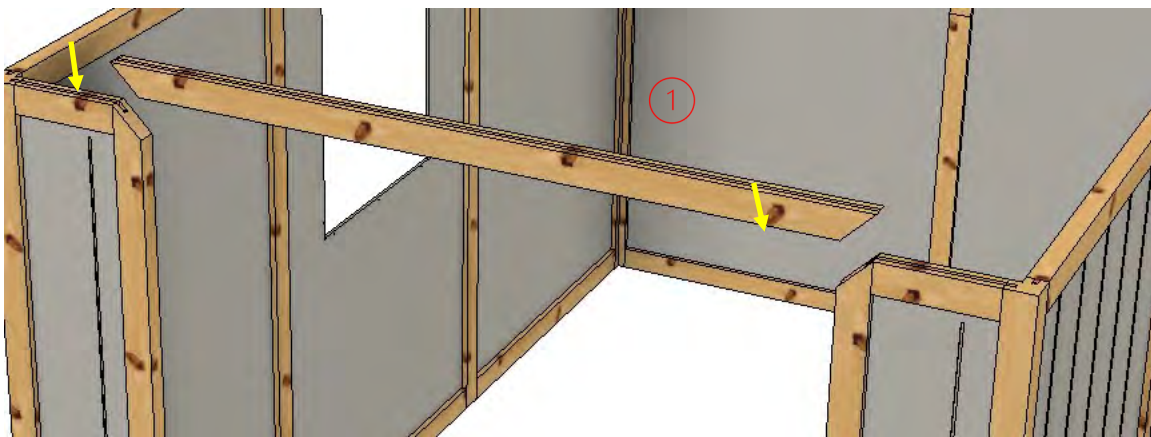


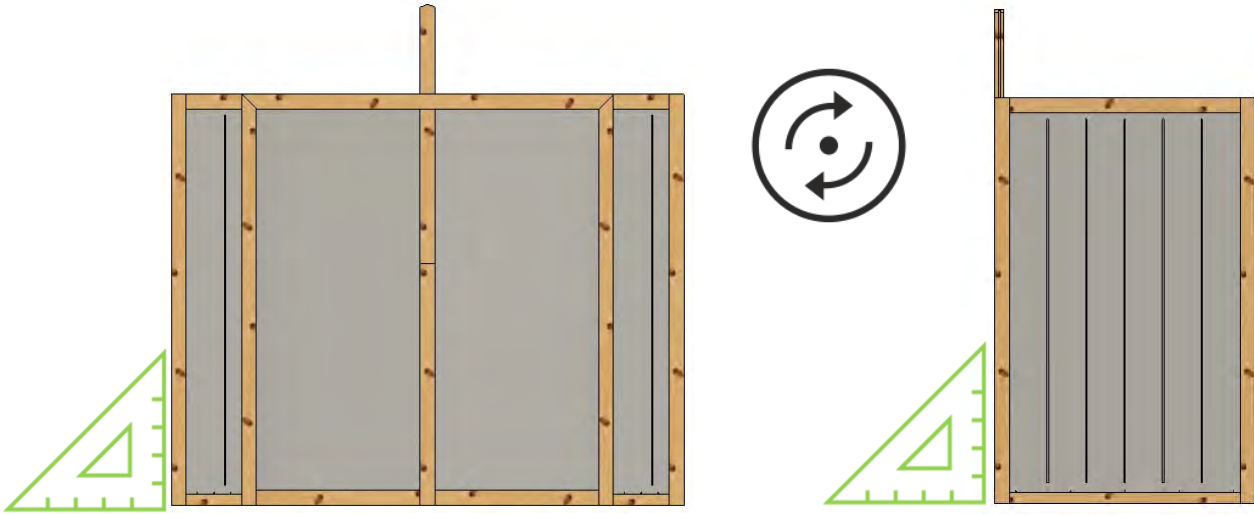
<p style="text-align: center;">8</p>	<p>[2]</p>  <p style="text-align: center;">Front Panel Assy</p>	<p>[4]</p>  <p style="text-align: center;">PS32CSK</p>
--------------------------------------	--	---



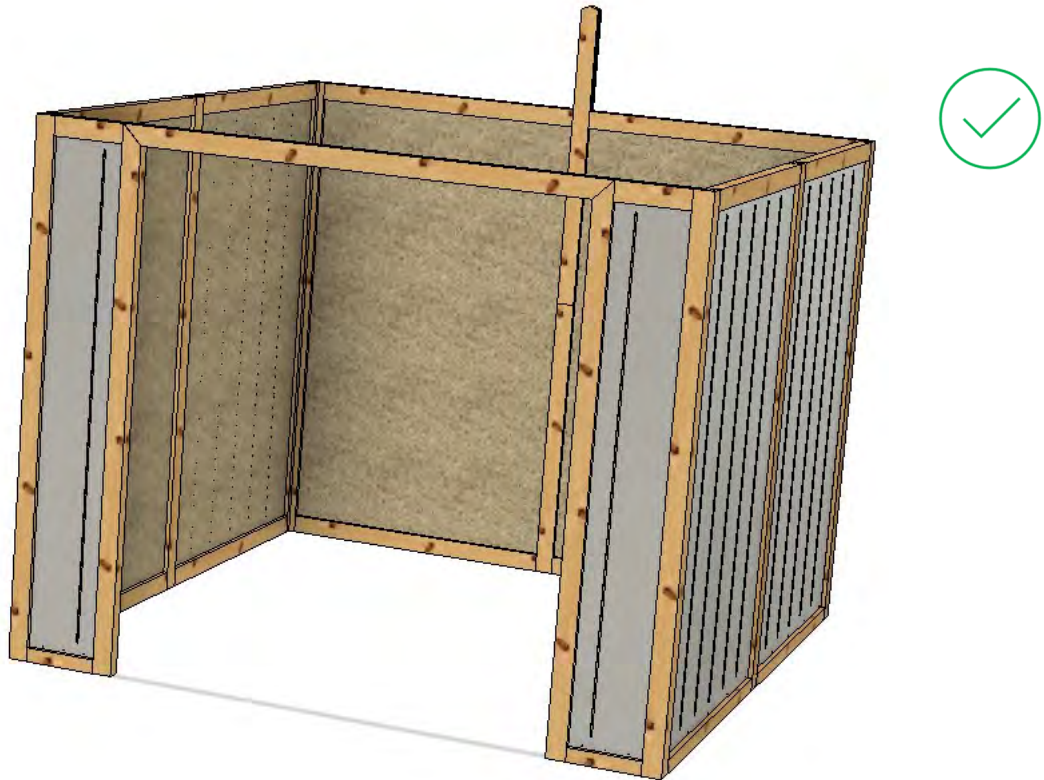
Door Head



<div style="border: 1px solid black; border-radius: 50%; width: 40px; height: 40px; display: flex; align-items: center; justify-content: center; margin: 0 auto;">9</div>	<p>[1]</p>  <p>SG1740A2</p>	<p>[14]</p>  <p>FB20MO/SM</p>
	<p>[1]</p>  <p>DST1800</p>	





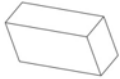



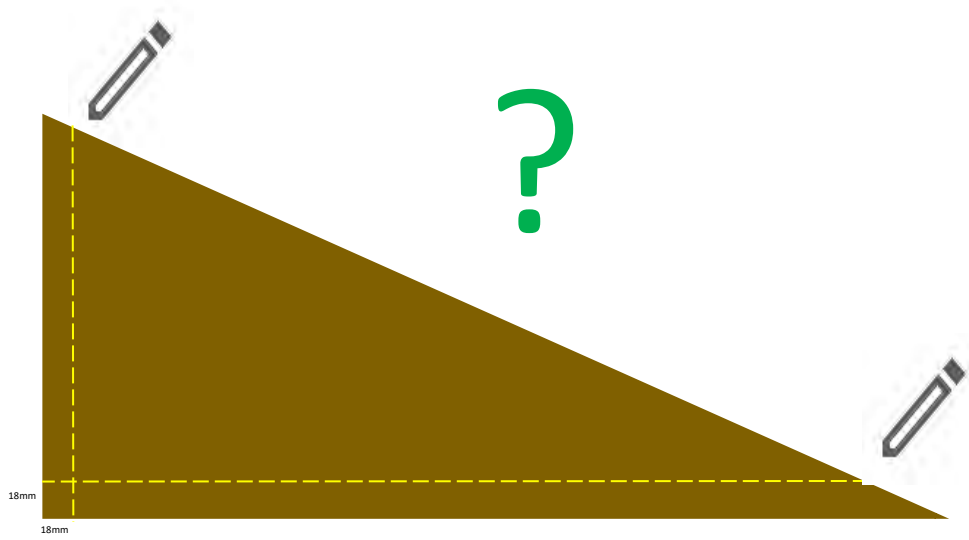
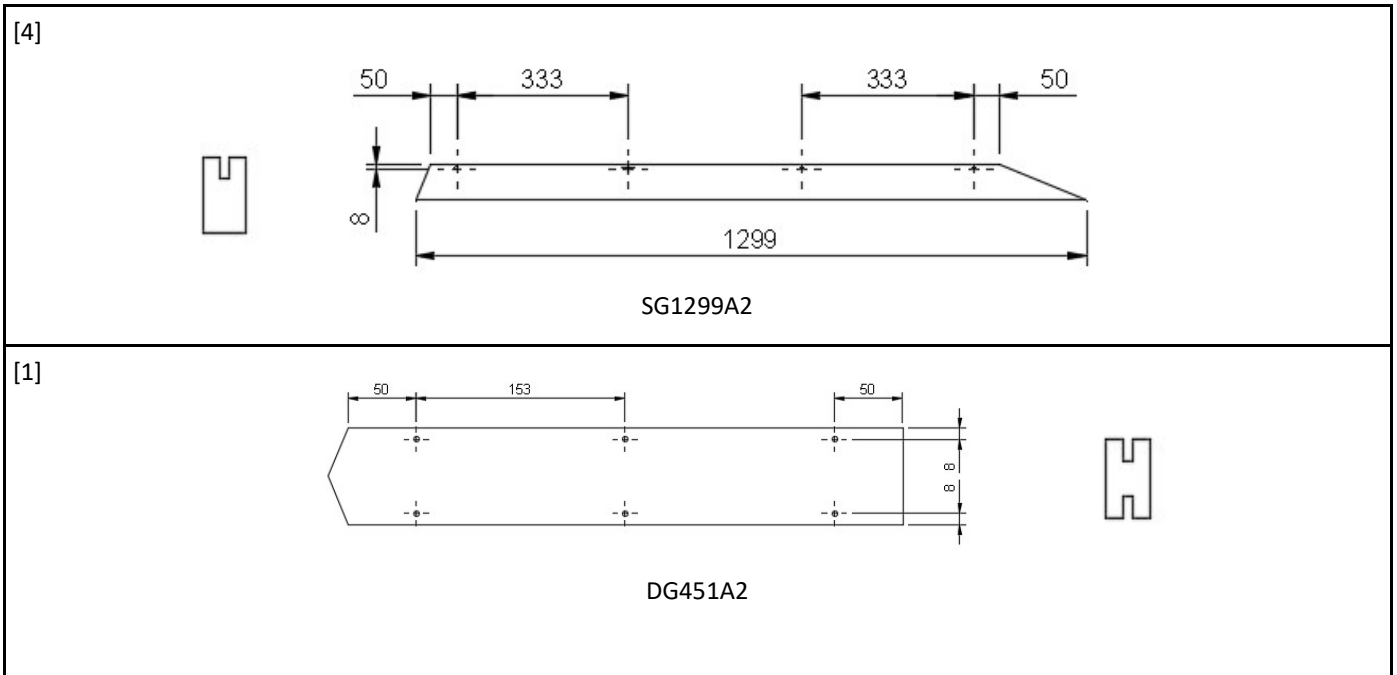
CHECK structure for Square, once confirmed, fit remaining Screws to panels



- FB20MO/SM x 24 
- PS32CSK x 100 

GABLES—Preparation

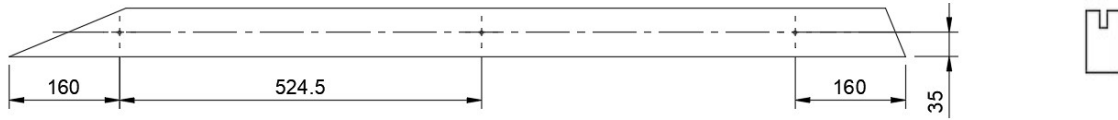
<div style="border: 1px solid black; border-radius: 50%; width: 40px; height: 40px; display: flex; align-items: center; justify-content: center; margin: 0 auto;"> 10 </div>	[4]  SG1299A2	[1]  DG451A1
	[12]  FB112	[12]  BS100



GABLE Angle—Additional Drilling for Facia Block

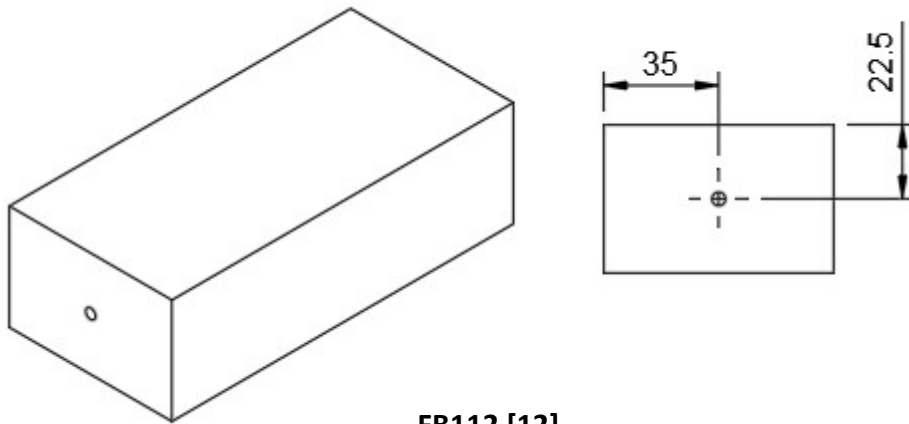


DRILL 4mm—Through Hole required

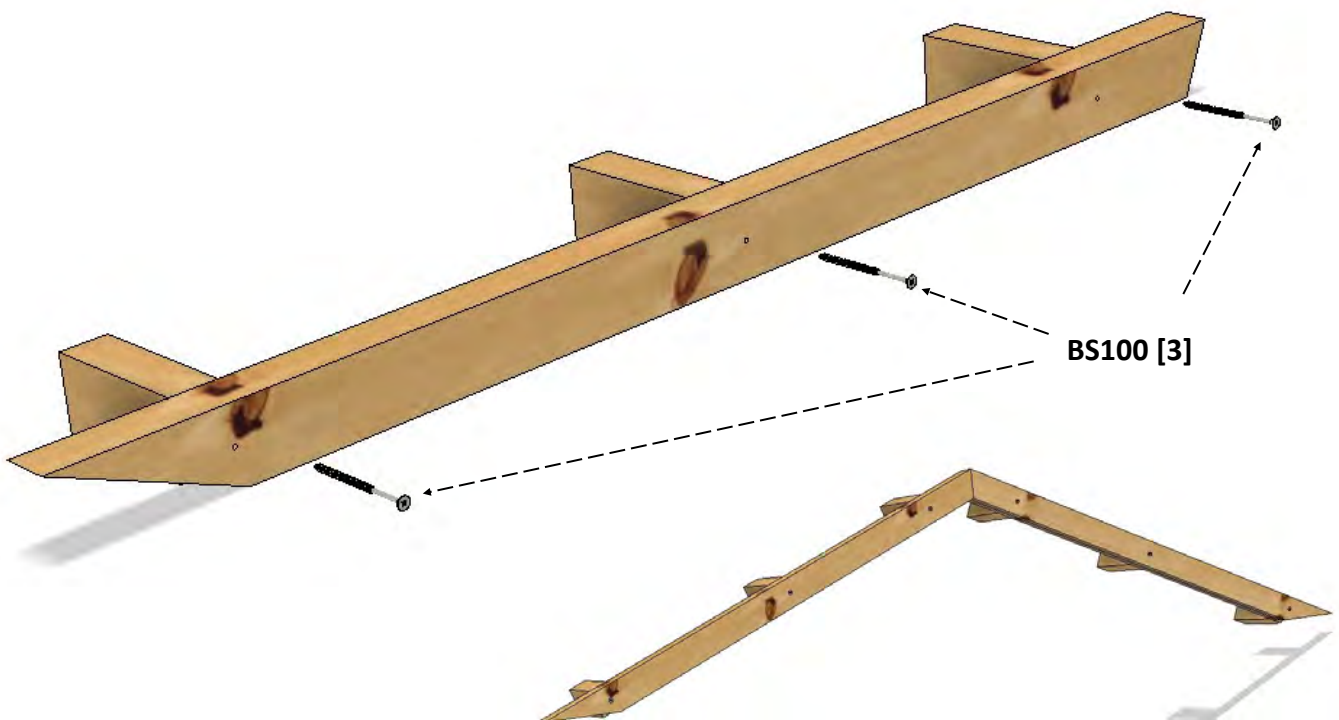


SG1299A2 [4]

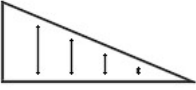


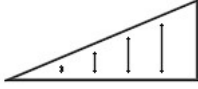

DRILL 4mm—Minimum Depth 50mm

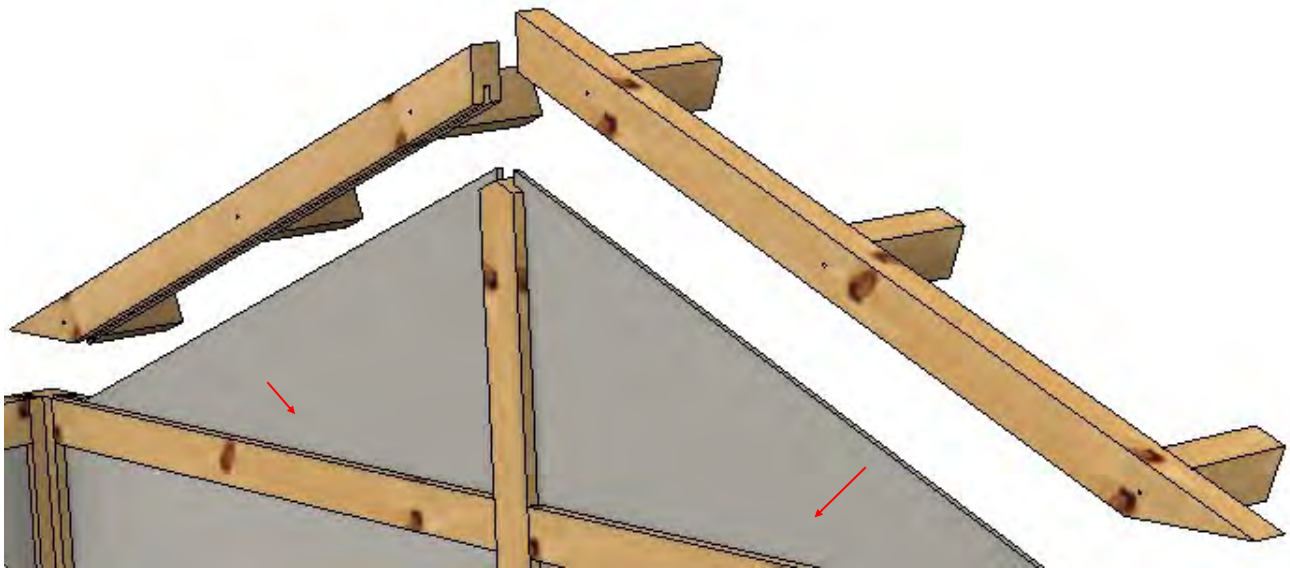
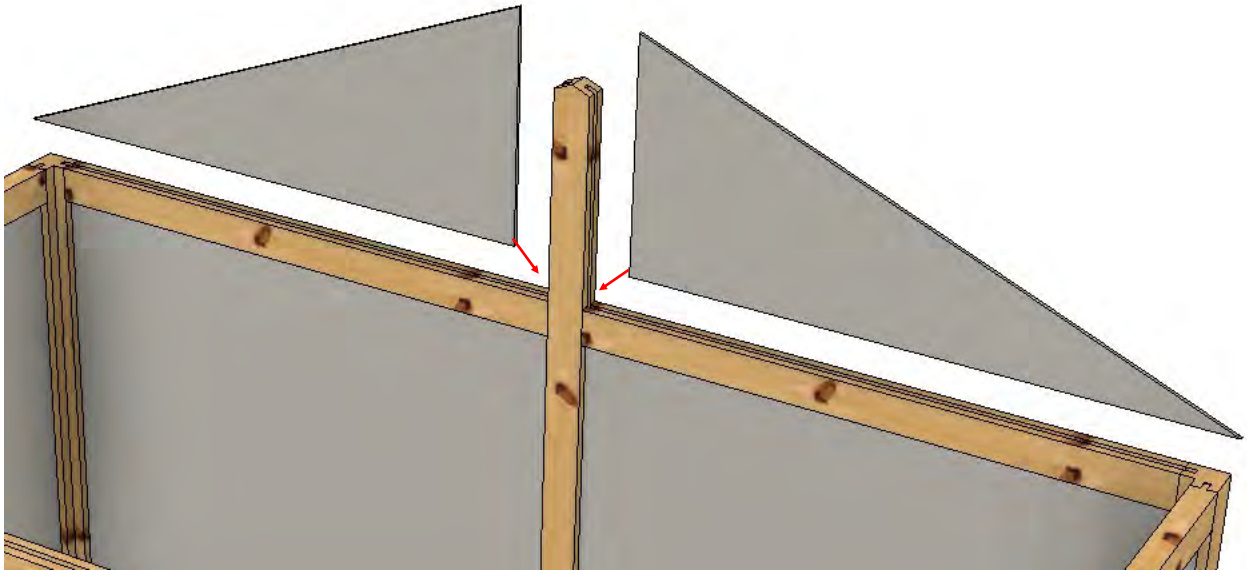


FB112 [12]

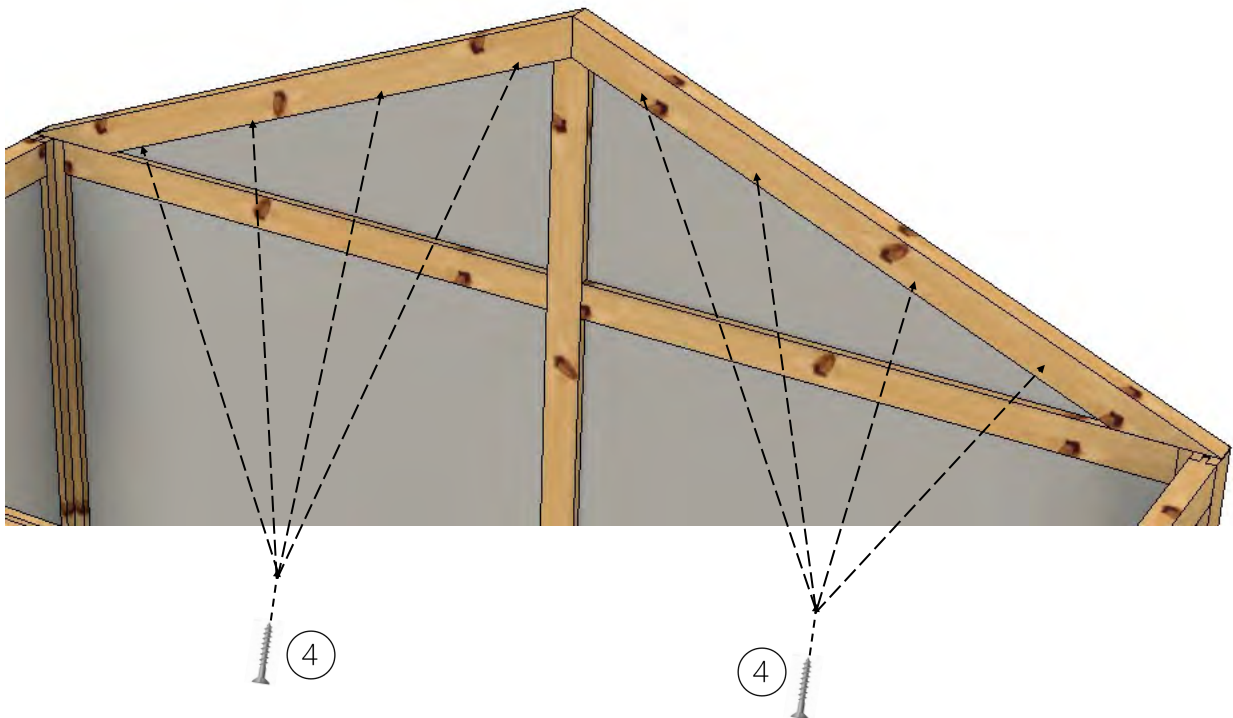
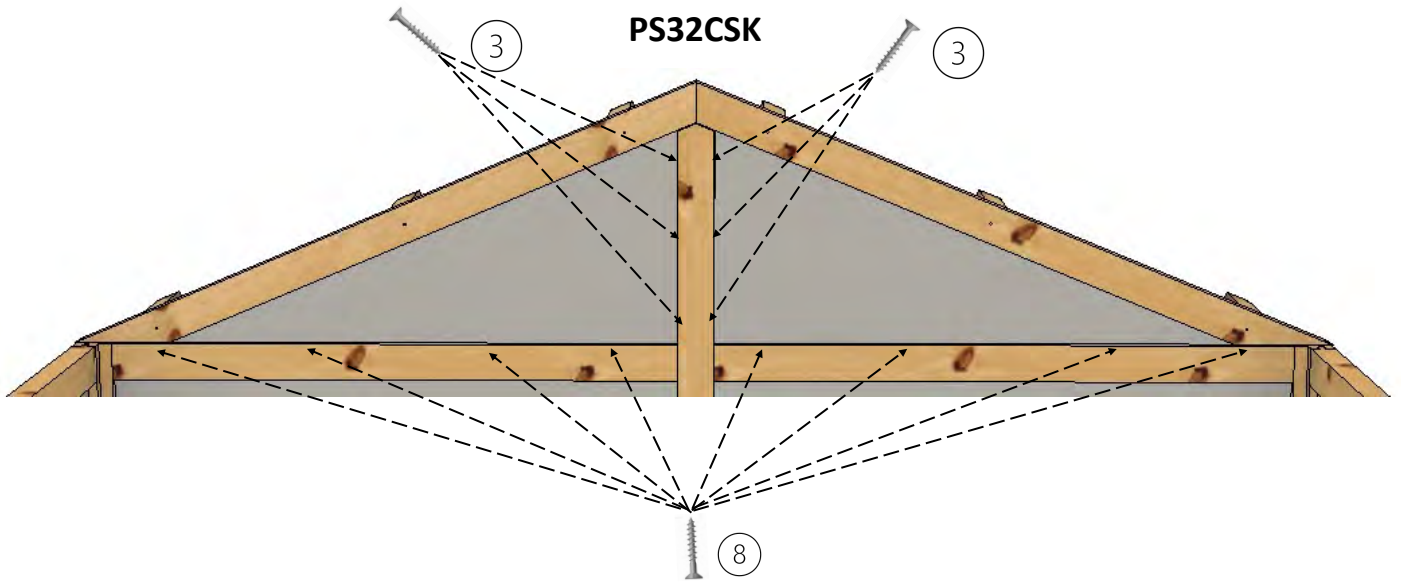


GABLES—Assembly

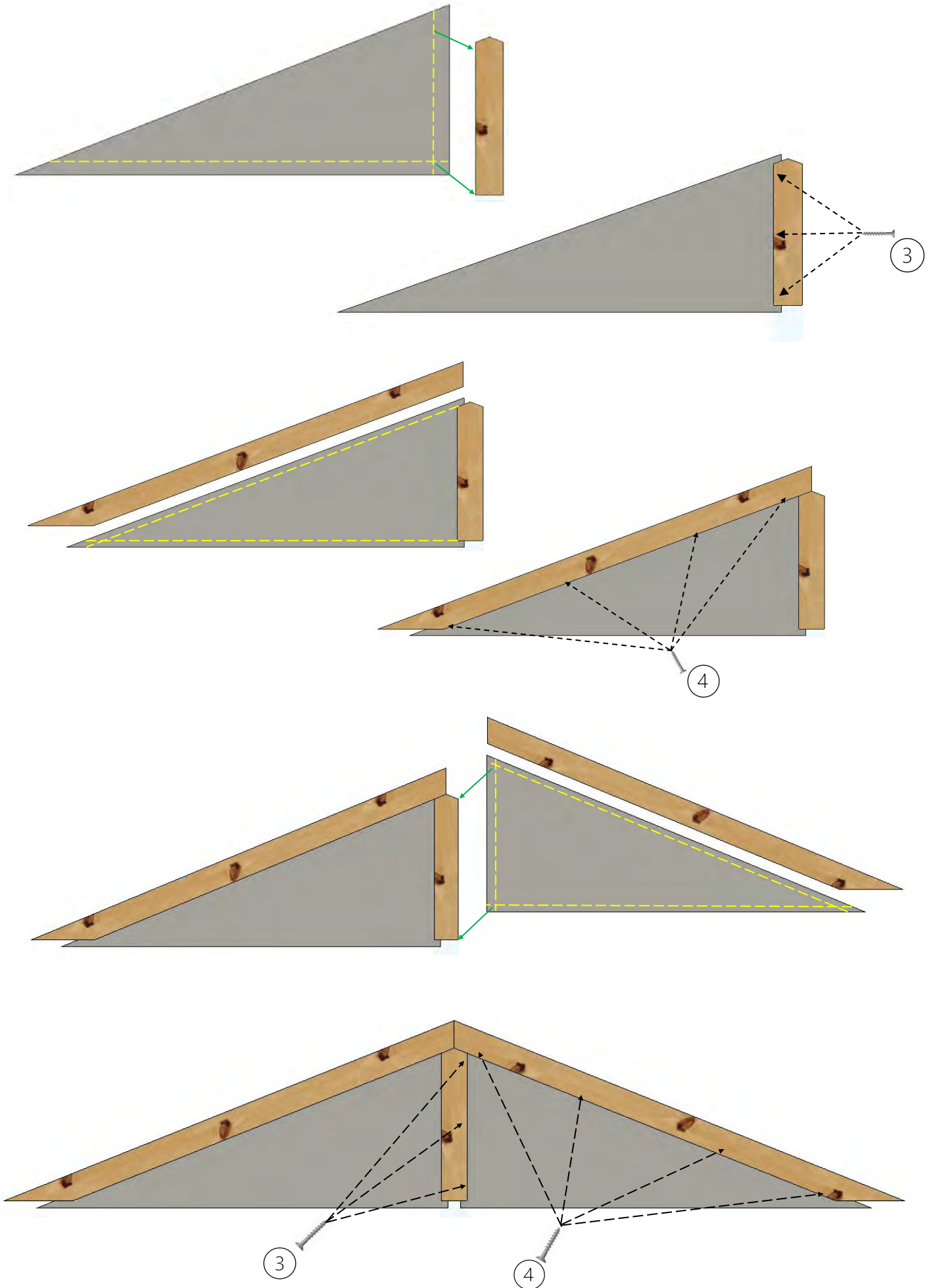
11	[2]  GPR	[4]  SG1299A2	[46]  PS32CSK
	[2]  GPL	[1]  DG421A2	

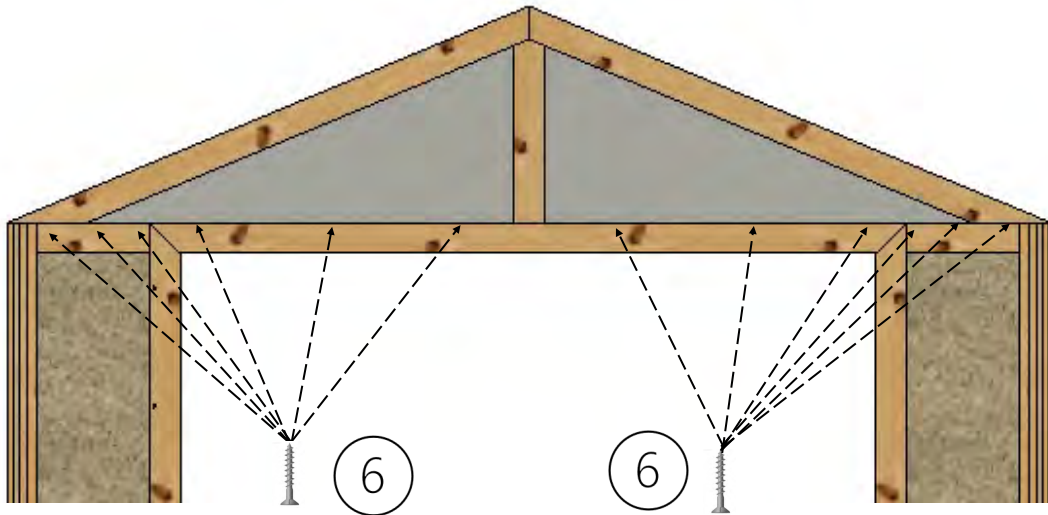
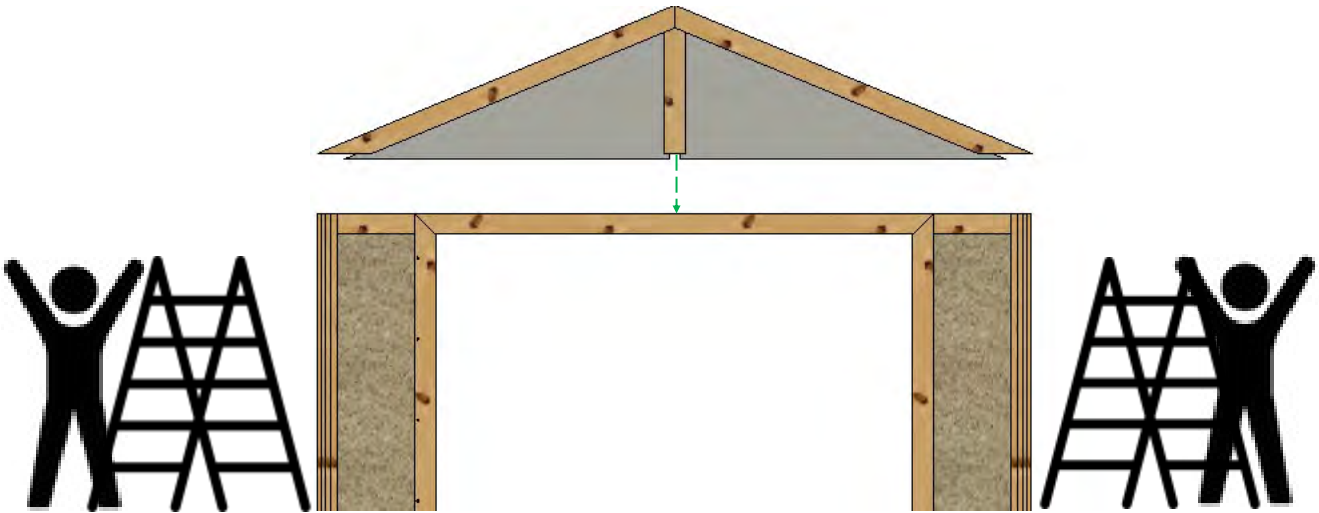


Check Gable position is correct before Fixing in place with screws.










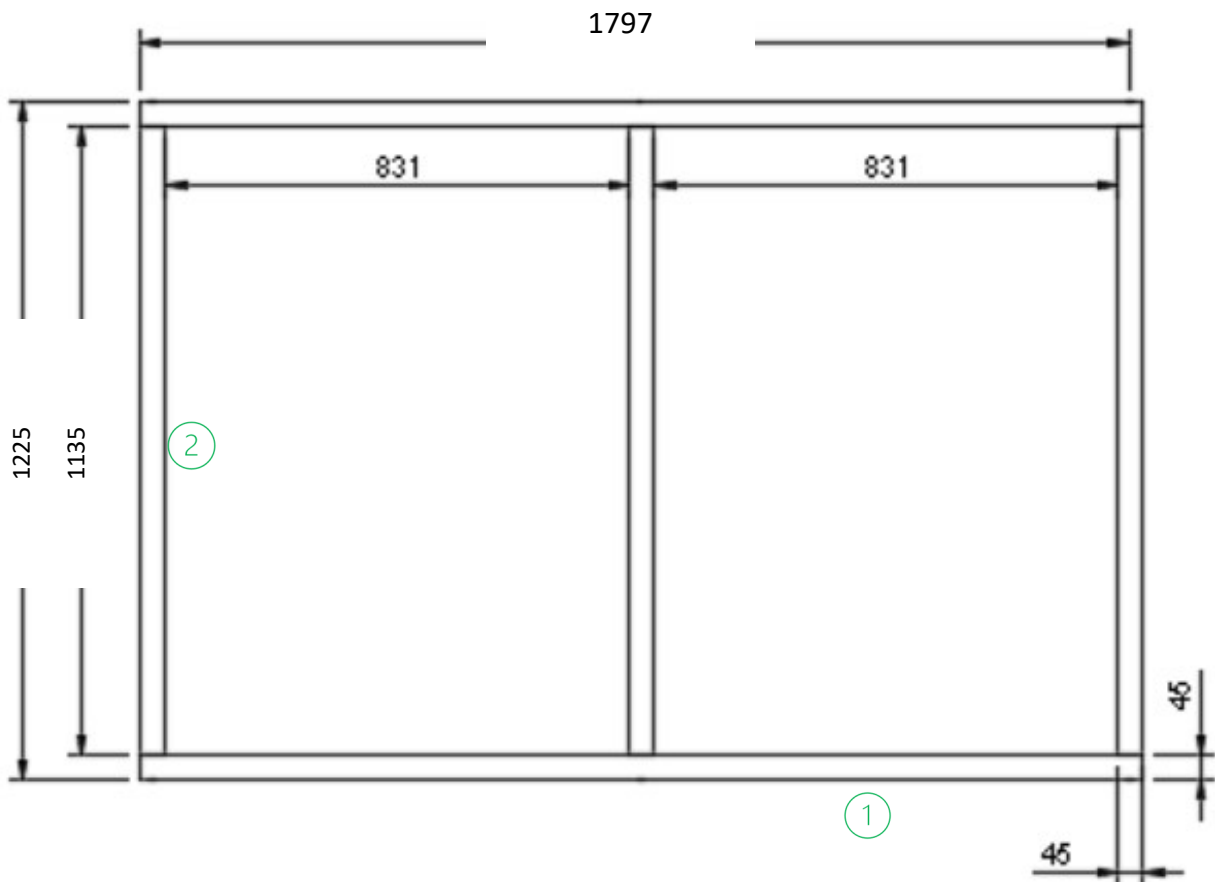
GABLE—Door Side



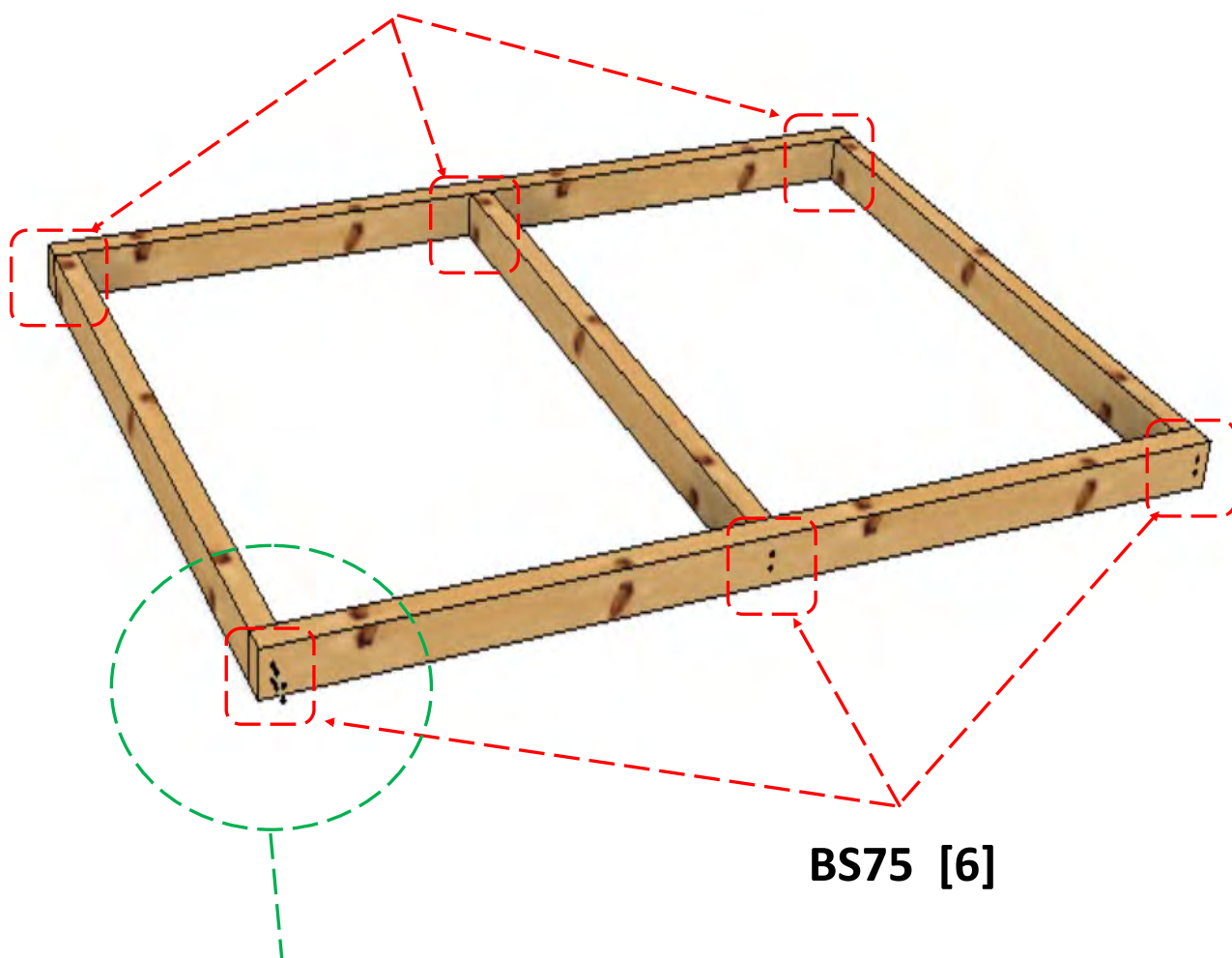


ROOF— Half Roof assembly [2]

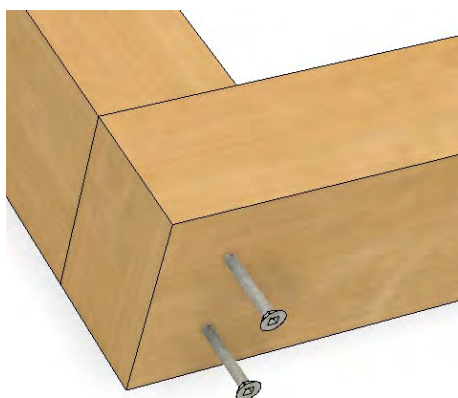
12	[8] 1  REP1797	[8] 2  RF1135	[6]  RS1400 MO / SM
	[4]  CH1200 MO / SM		
	[84]  RS50 MO / SM	[44]  BS75	[16]  RD-AS2 MO / SM



BS75 [6]

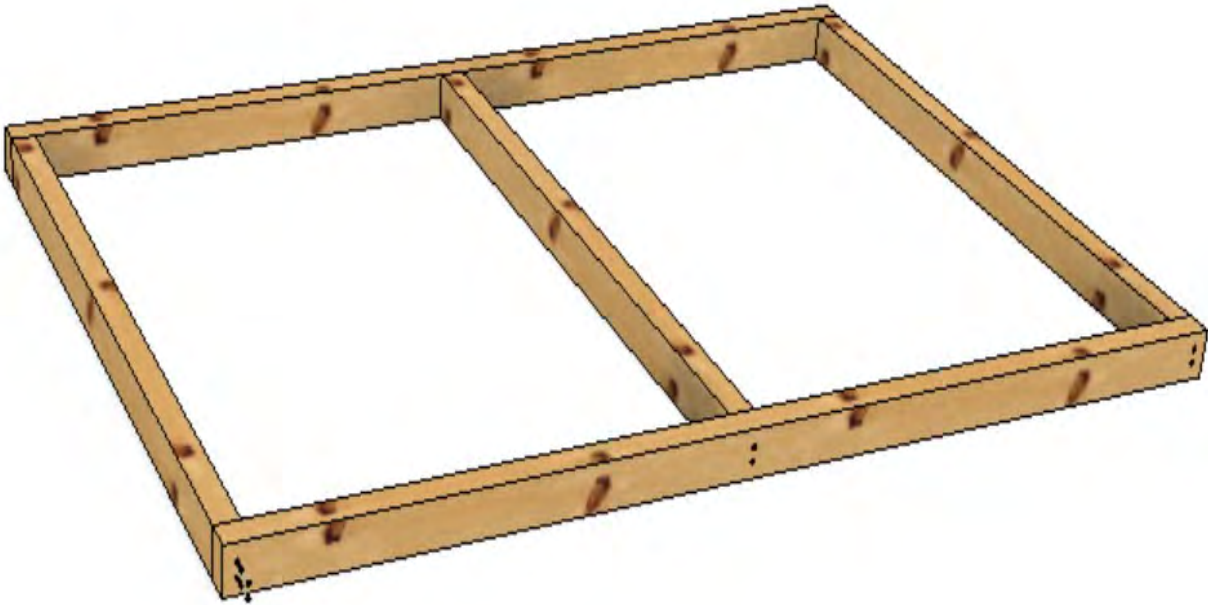


BS75 [6]

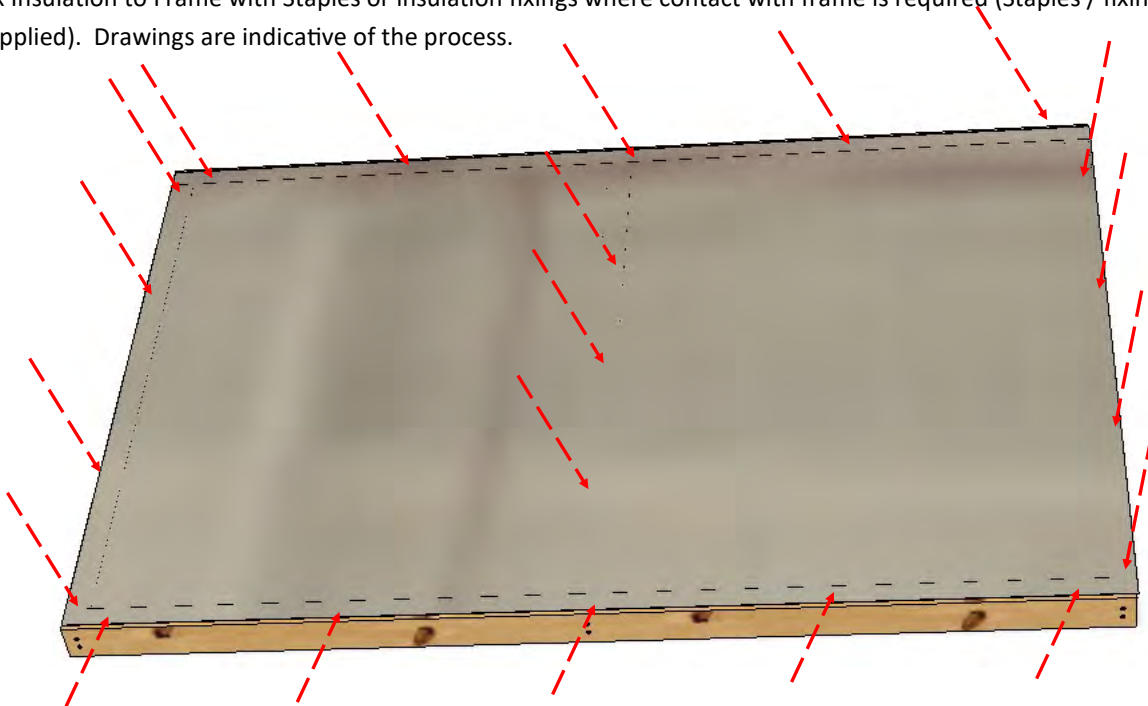


OPTION—INSULATION

If Insulation was specified, it needs to be fitted to the roof frame before attaching the roofing sheets.



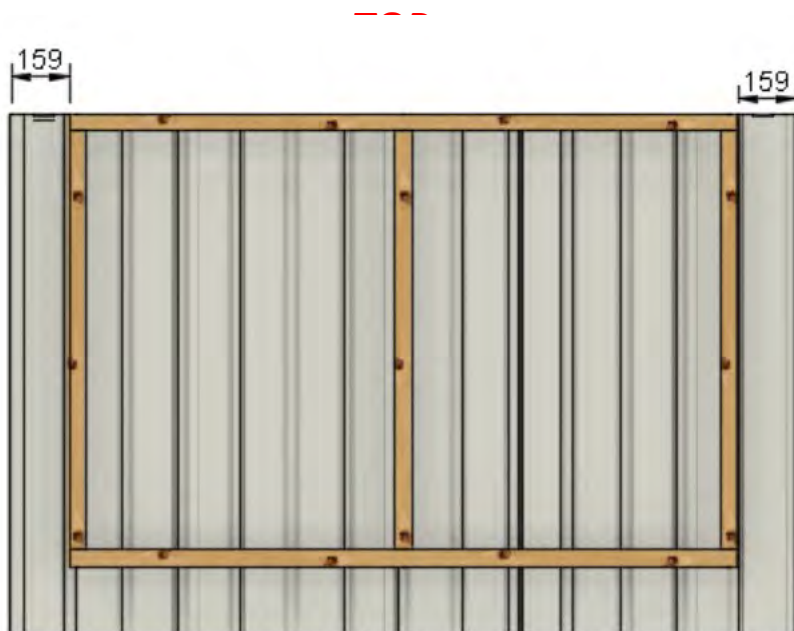
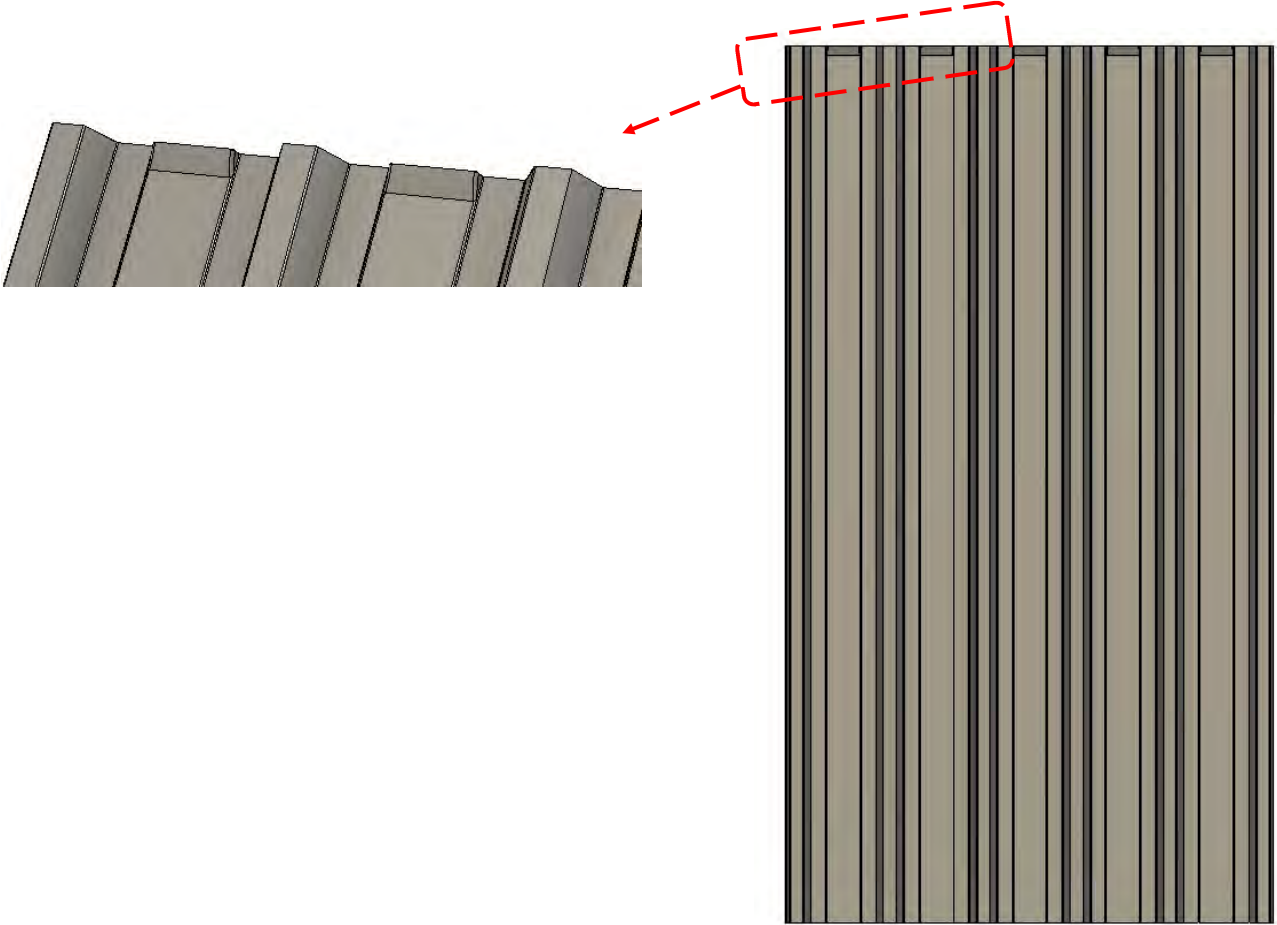
Fix Insulation to Frame with Staples or insulation fixings where contact with frame is required (Staples / fixings not supplied). Drawings are indicative of the process.

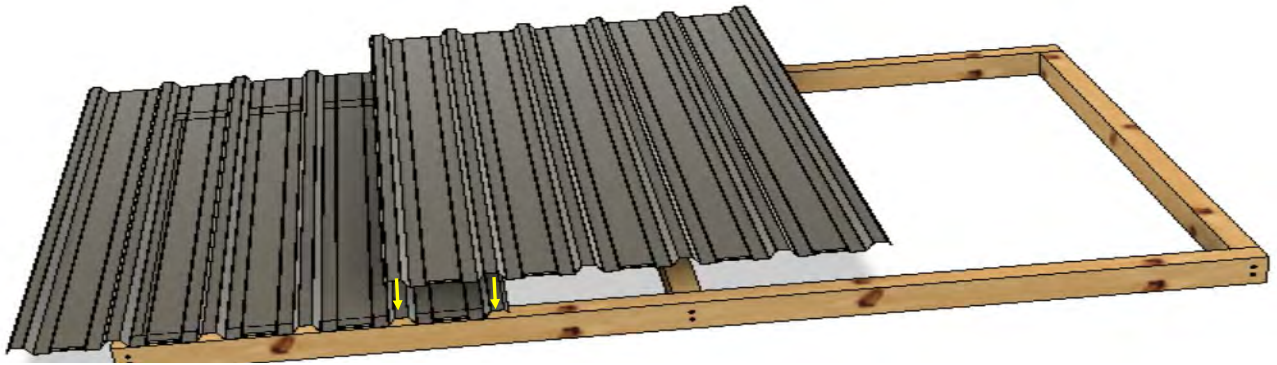


ROOF— Sheeting

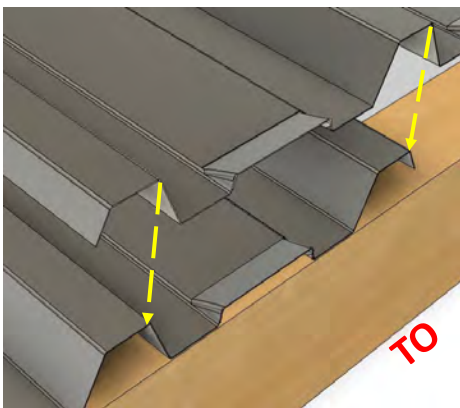
13

Top of Roof sheet has material folded upwards.

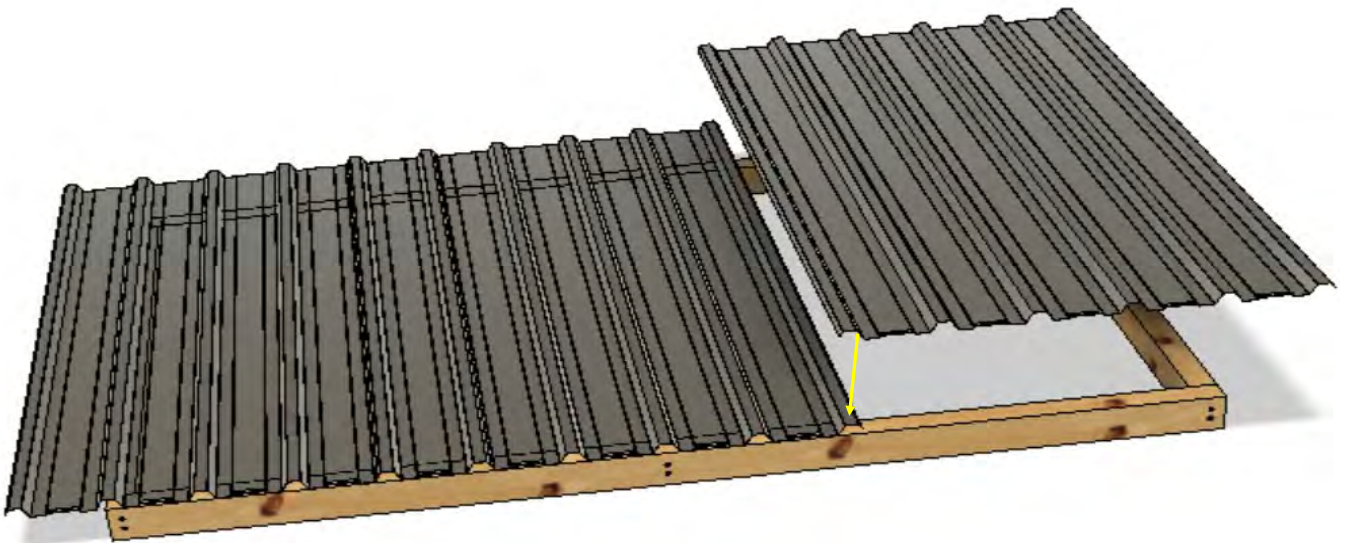




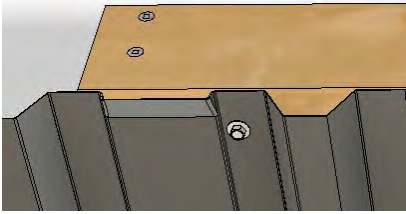
Sheets 1/2 overlap 2.



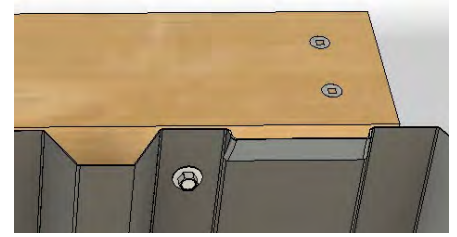
Overlap 2



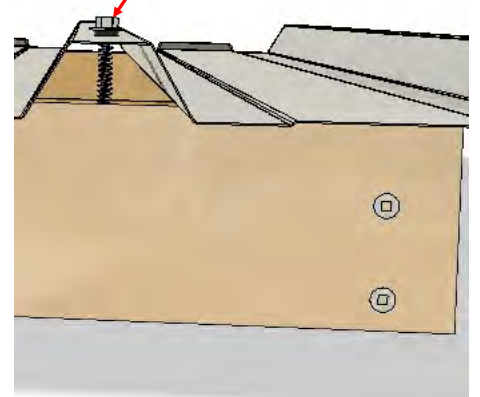
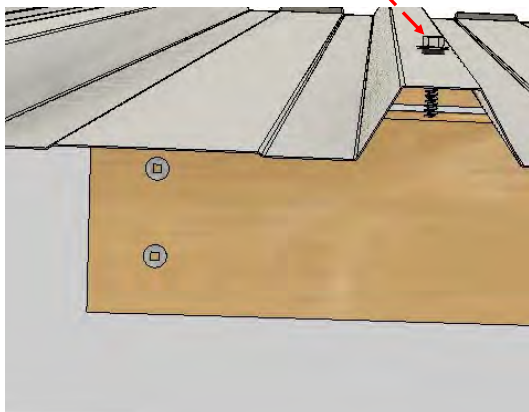
Sheets 2/3 overlap 1.



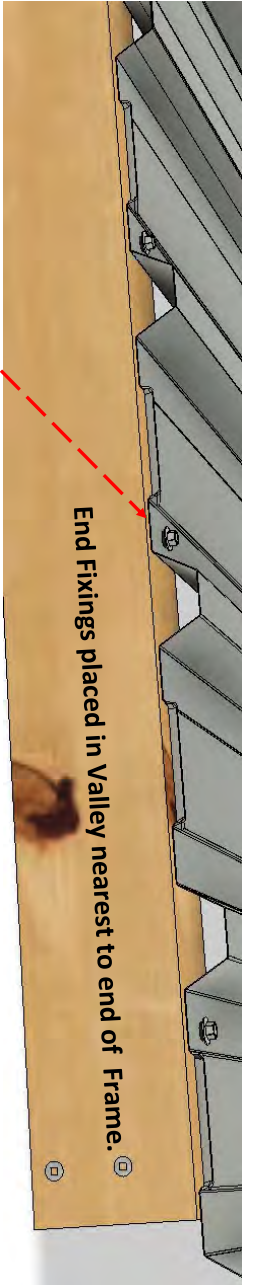
TOP



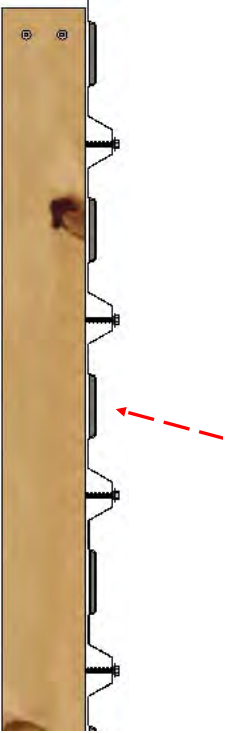
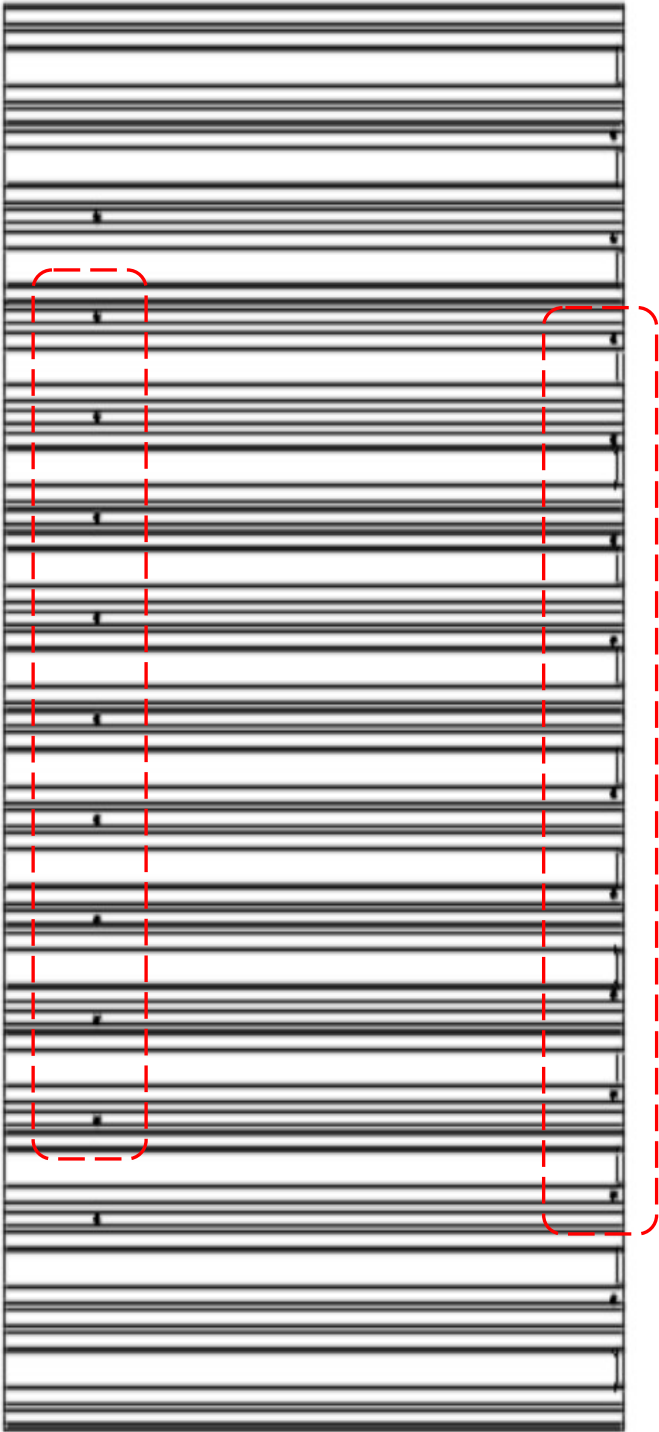
Align Top sheet and fix Top Corners first.



Lower Roof Screws placed in Peaks of Sheet.
Do not Overtighten.

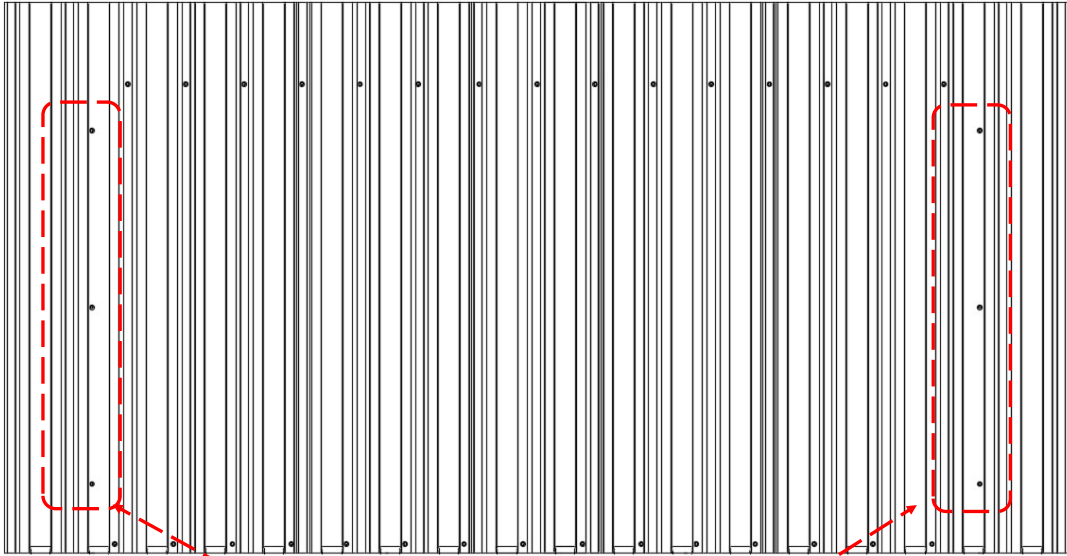


RSSO MO/SM [9]



RSSO MO/SM [9]



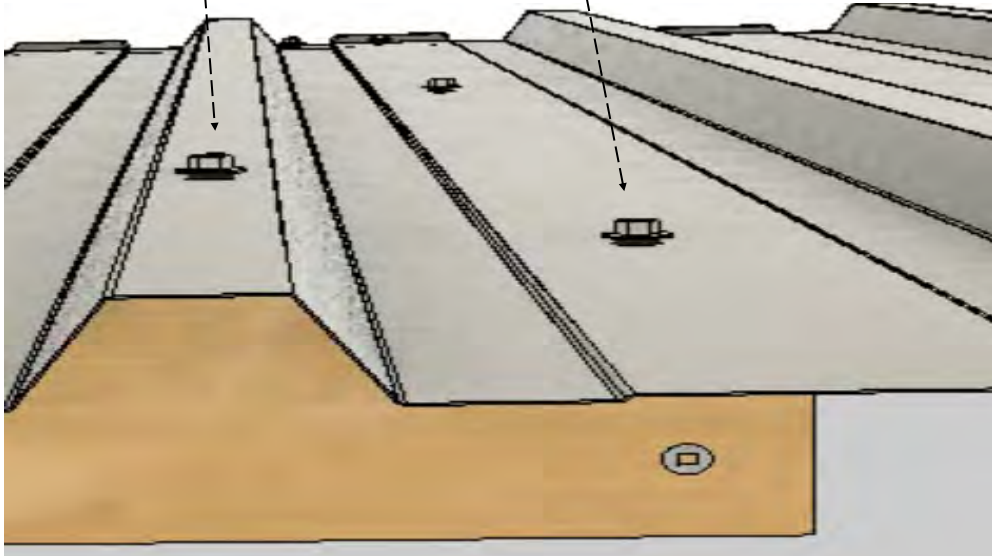


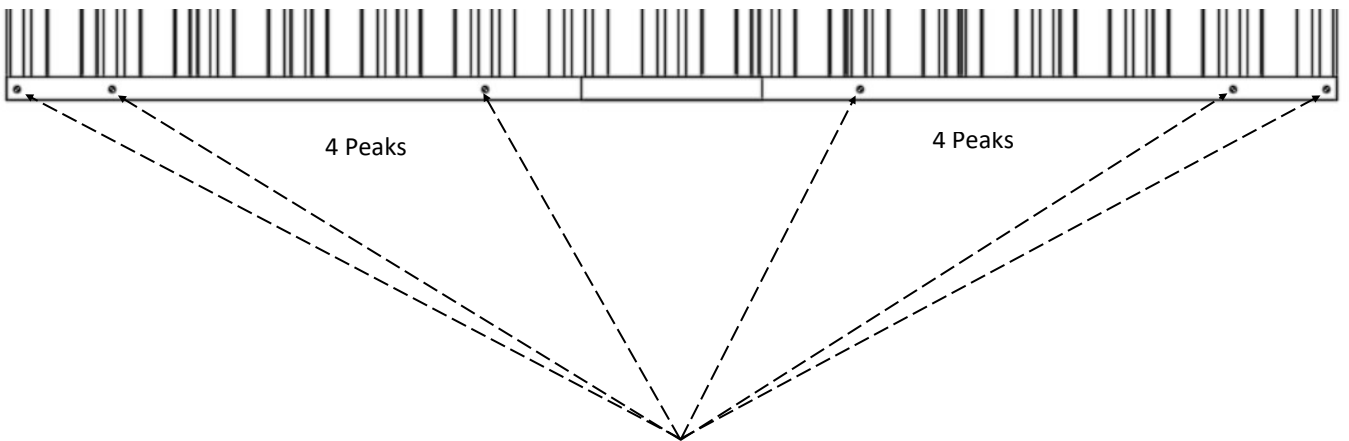
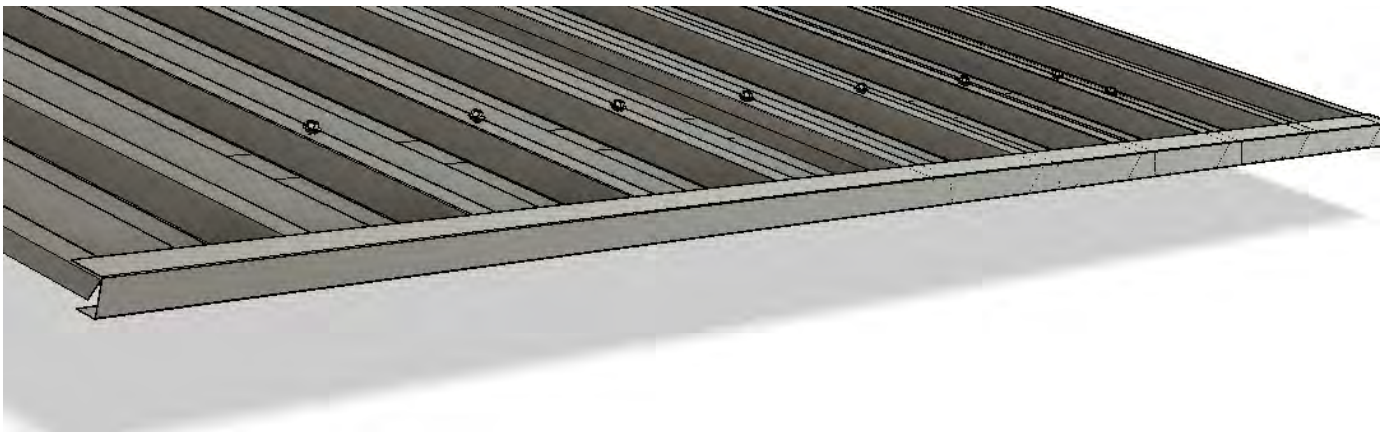
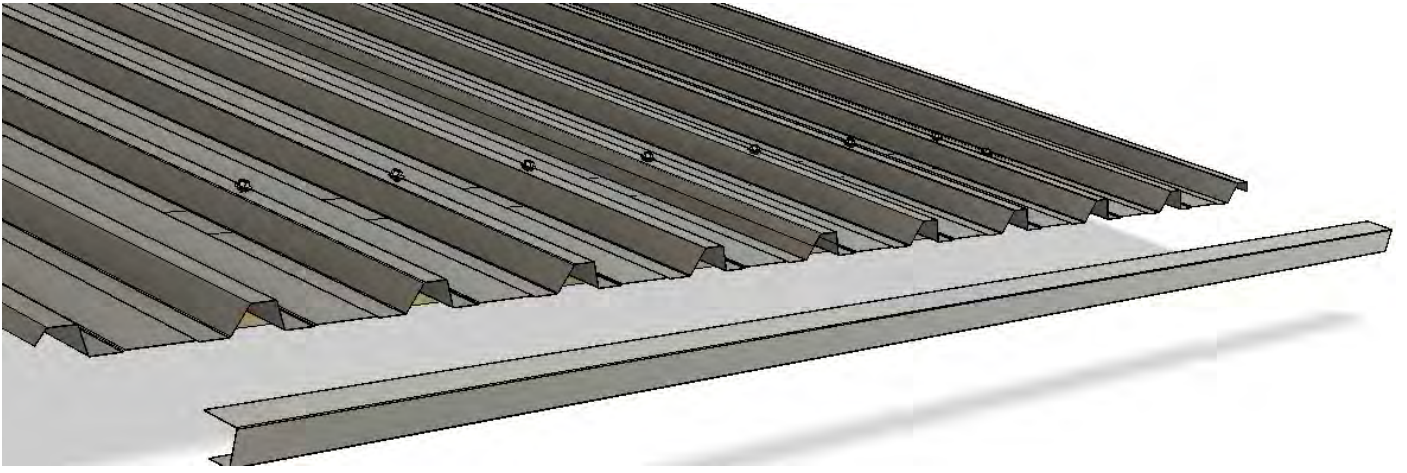
RS50 MO/SM [6]



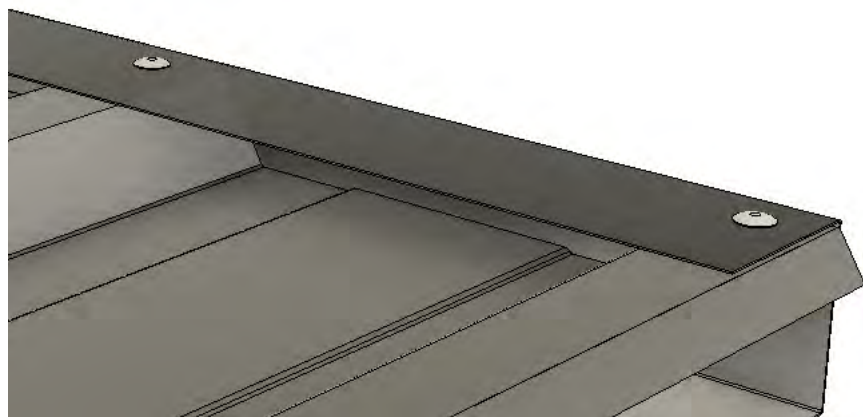
Lower Roof Screws placed in Peaks of Sheet. **Do not Overtighten.**

End Fixings placed in Valley nearest to end of Frame.

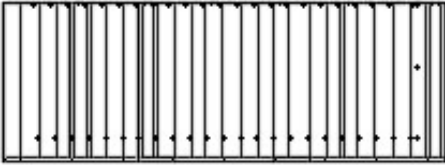








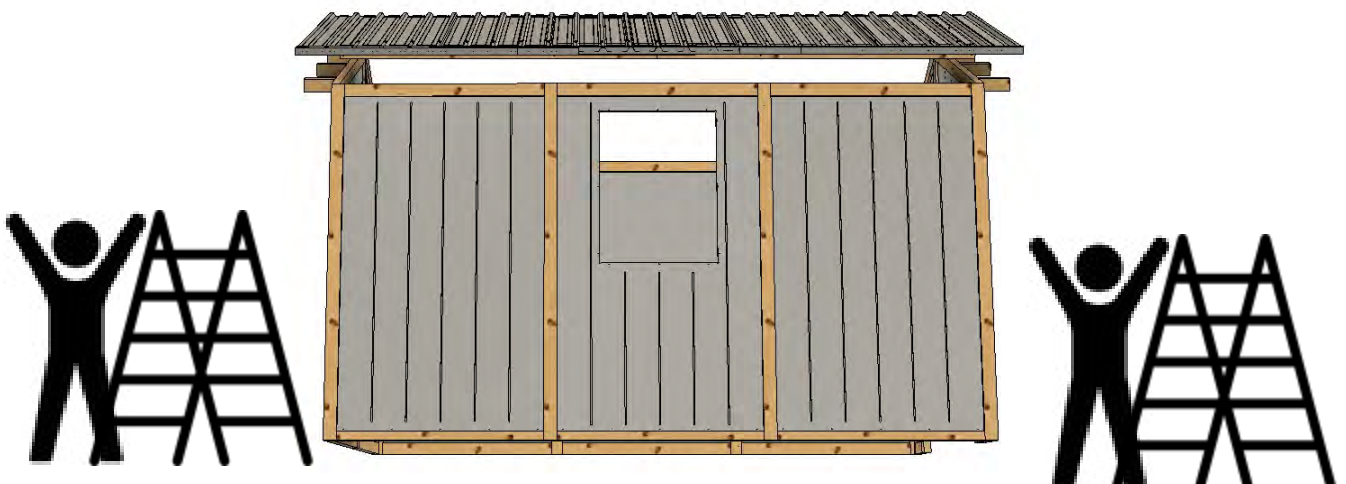
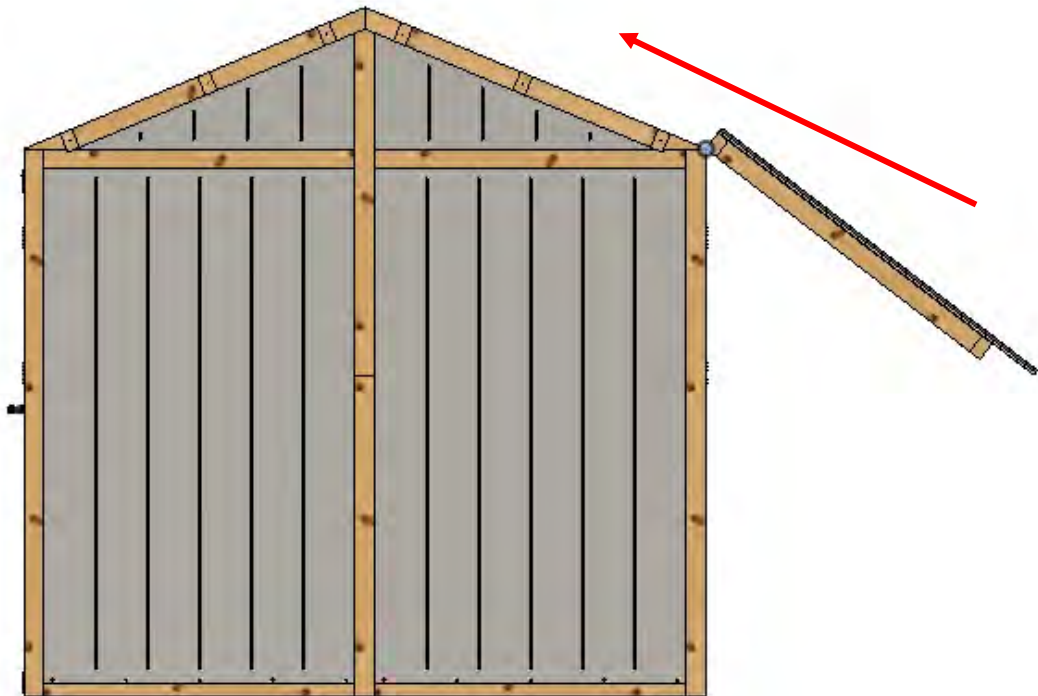
RD-AS2 MO / SM [6]



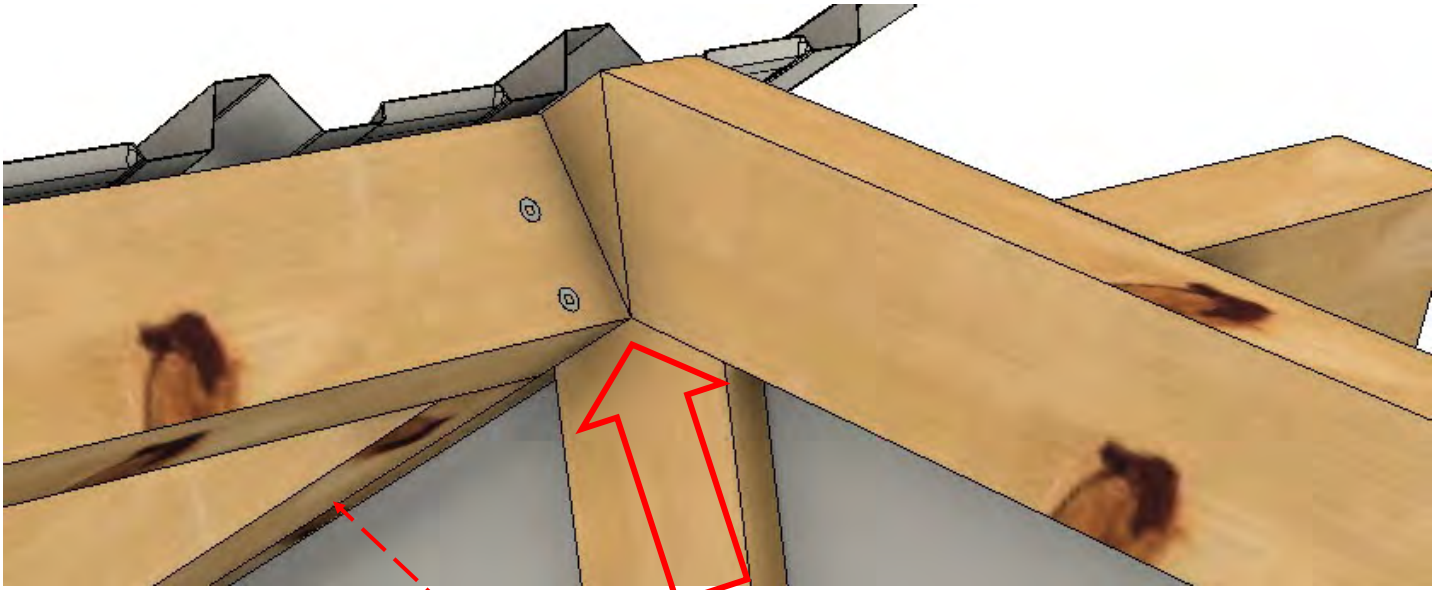
Roof Assembly—Installation

<p style="text-align: center; font-size: 2em;">14</p>	<p>[2] Half roof Assembly</p> 	<p>[2] CT-A</p>  <p>[12] PS50SK</p> 	<p>[20] BS75</p>  <p>[4] BS125</p> 
---	---	--	---

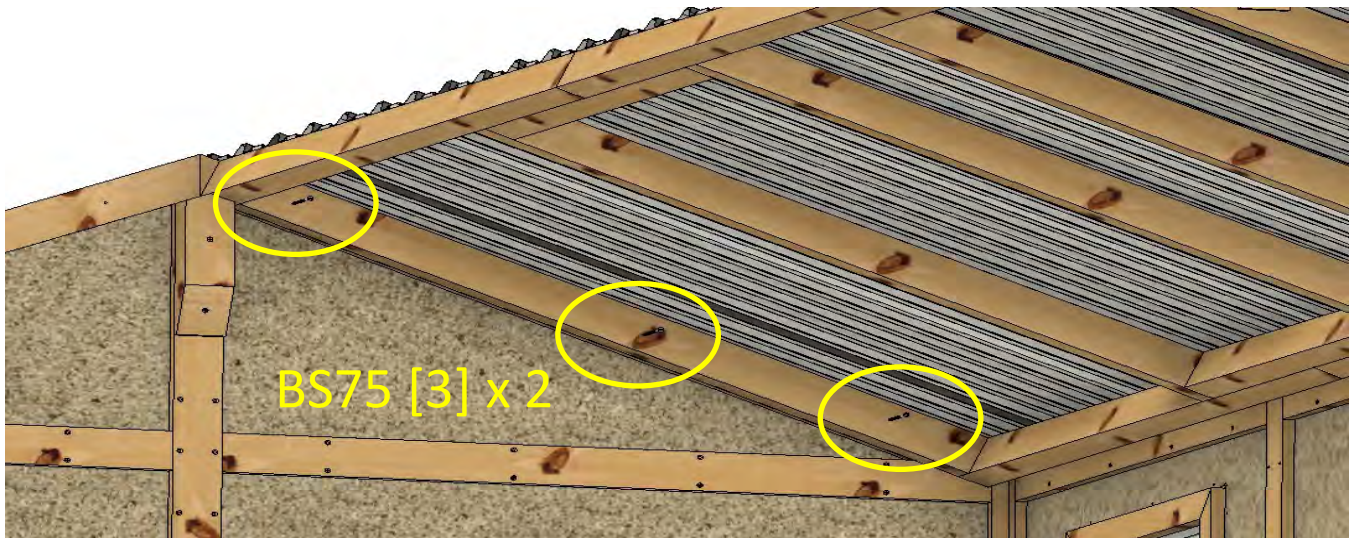
Slide 1st Roof assembly onto the shed.



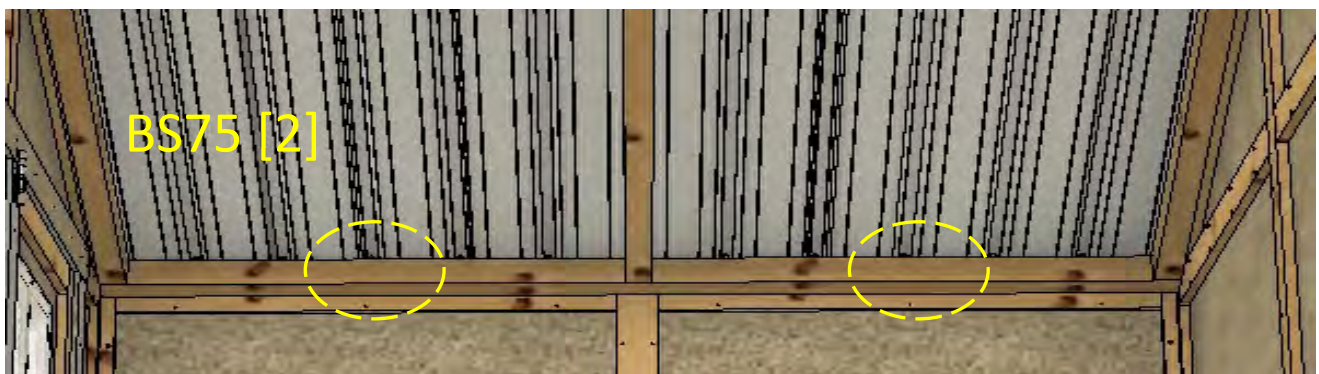
Align edge of roof frame on apex of Gable



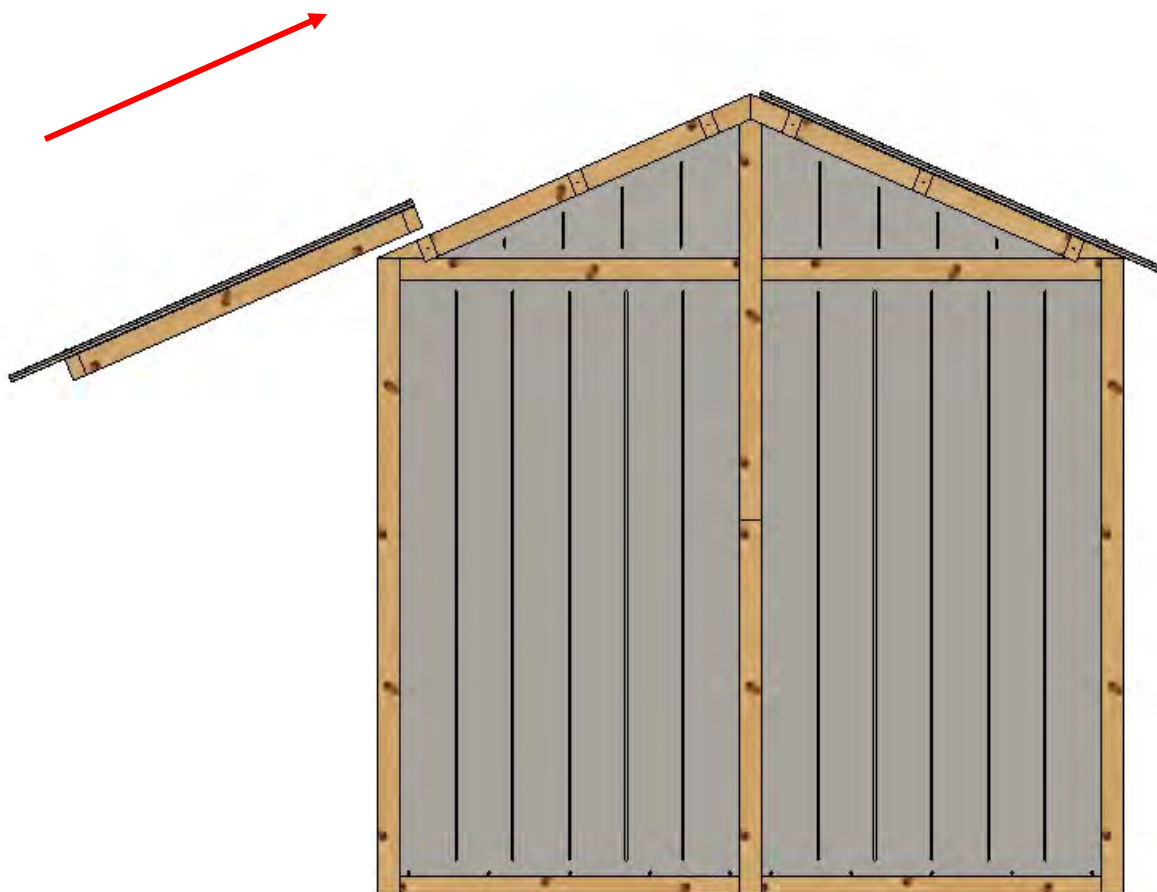
Align Base of Roof frame with Bottom of Gable Frame



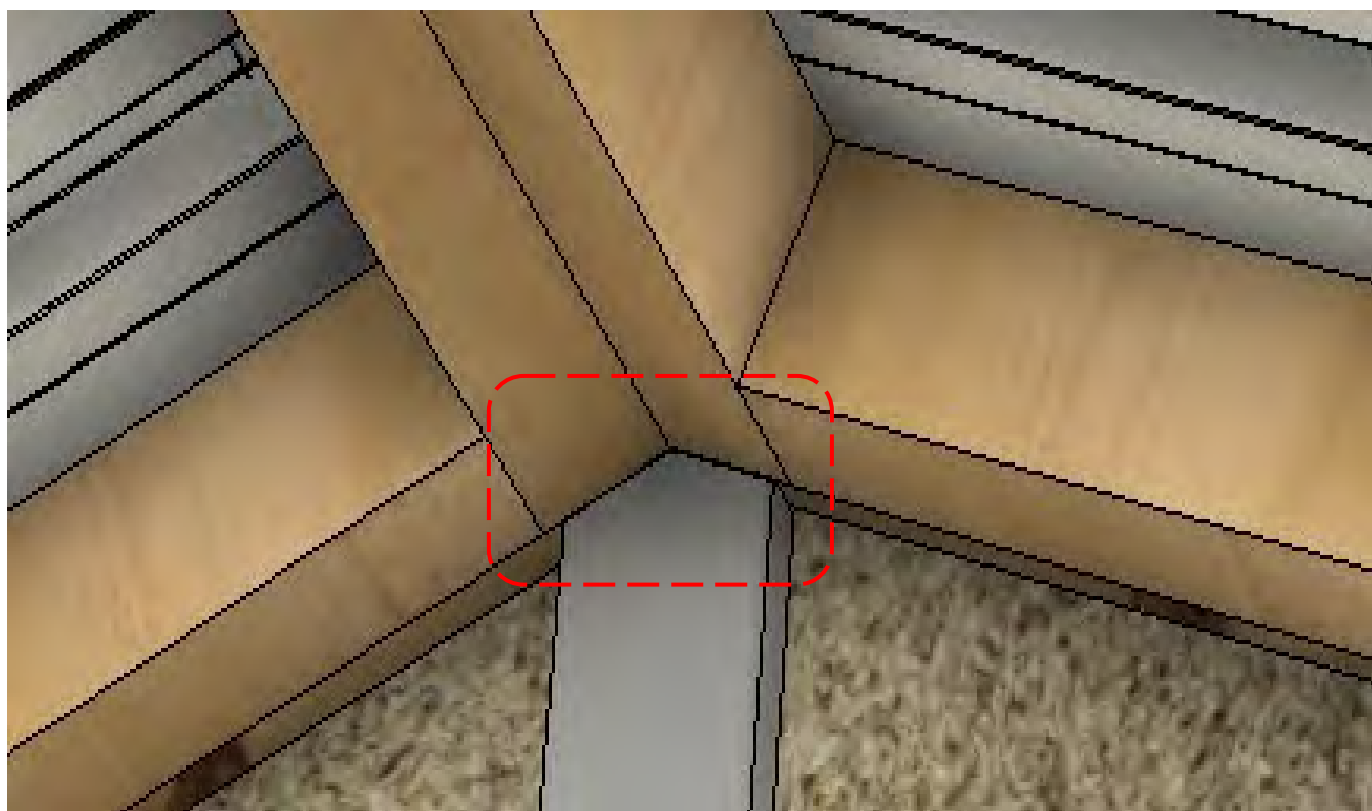
Fix 1st Roof panel to Gables and bottom Wall **before** fitting remaining roof panel. BS75 [8]



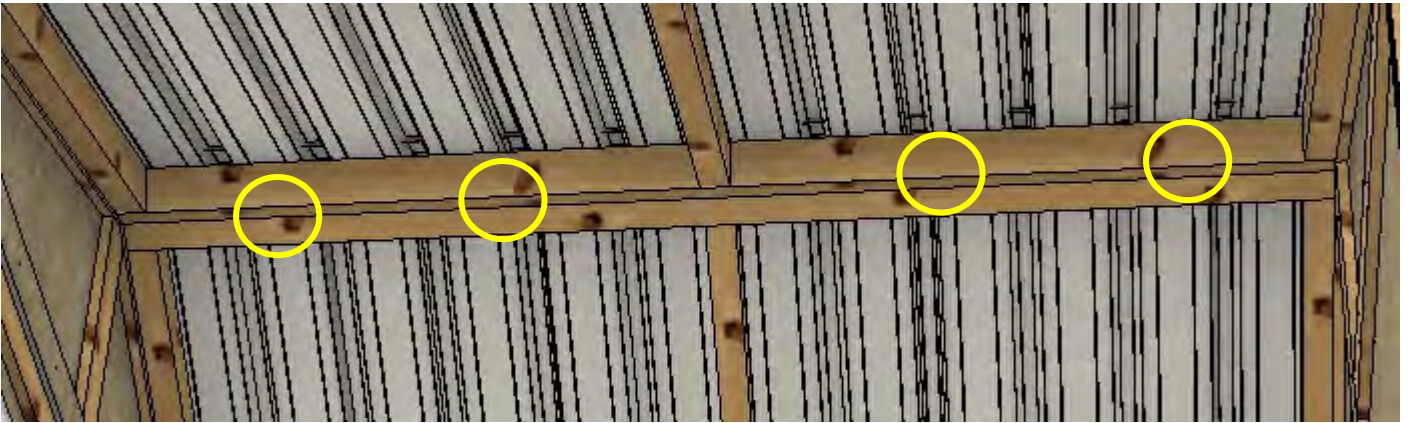
Once the first roof panel is secured into the gables slide the other roof panel up into the corresponding gable gap.



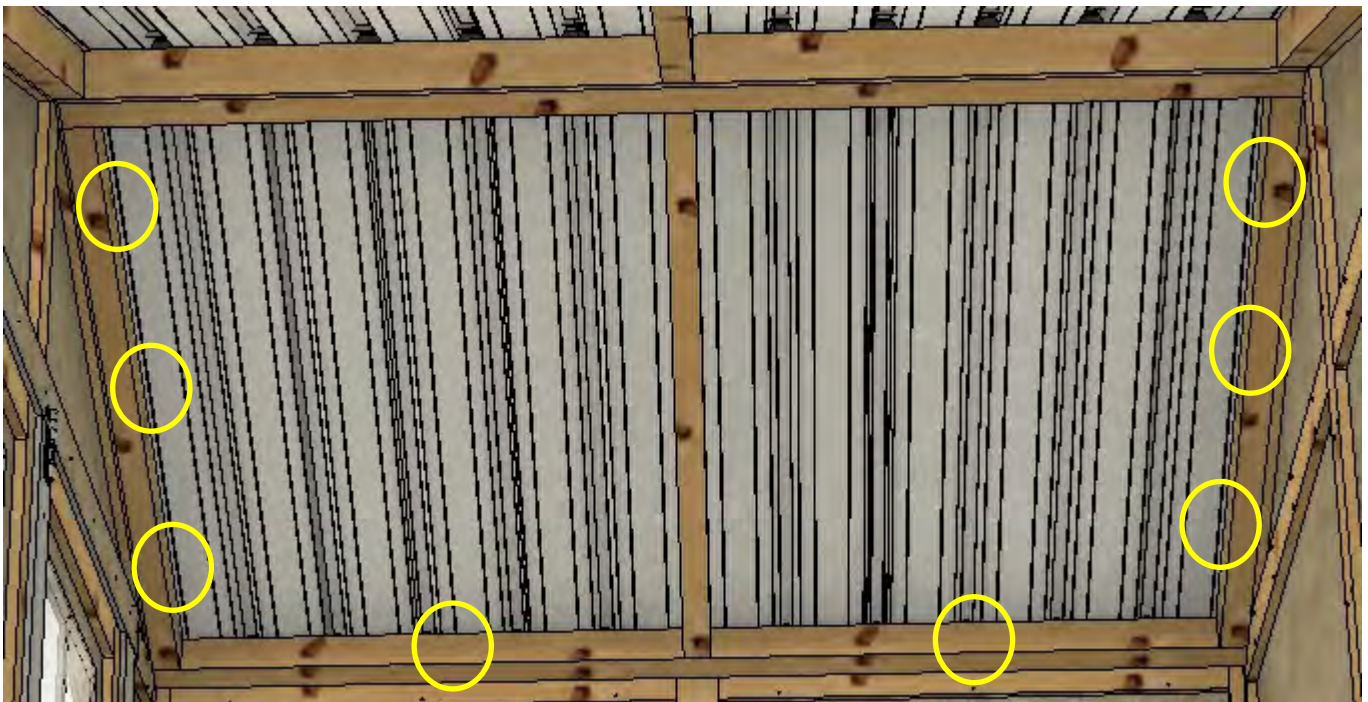
Butt Roof Frames to Apex Gable.



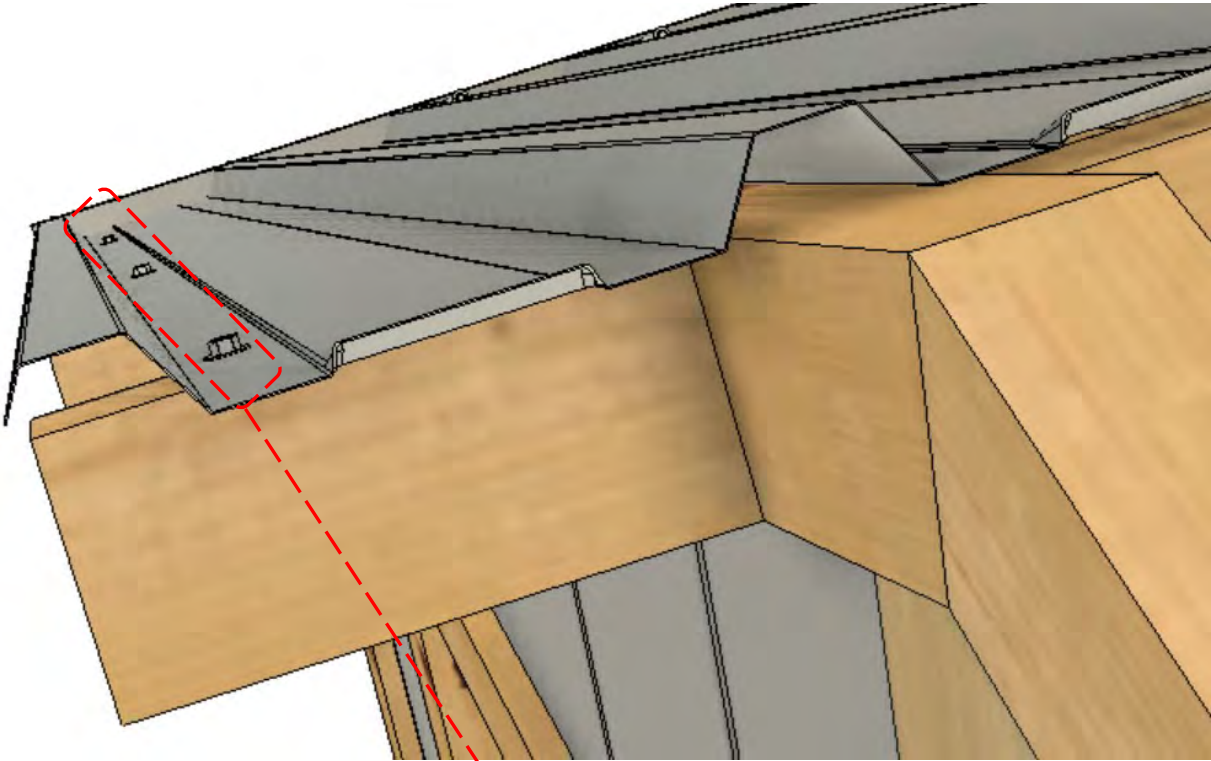
Fasten top of Roof Frames with BS125 [4].



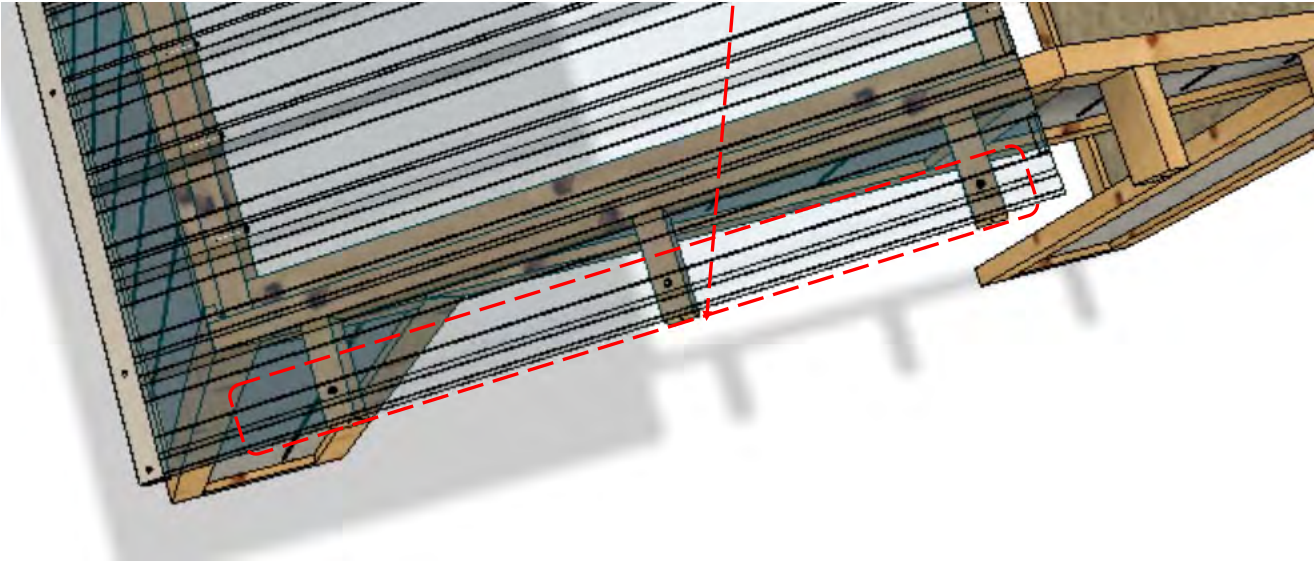
Secure 2nd roof panel to Gables and Bottom wall, BS75[8]





ROOF— Fix Sheeting To Facia Block

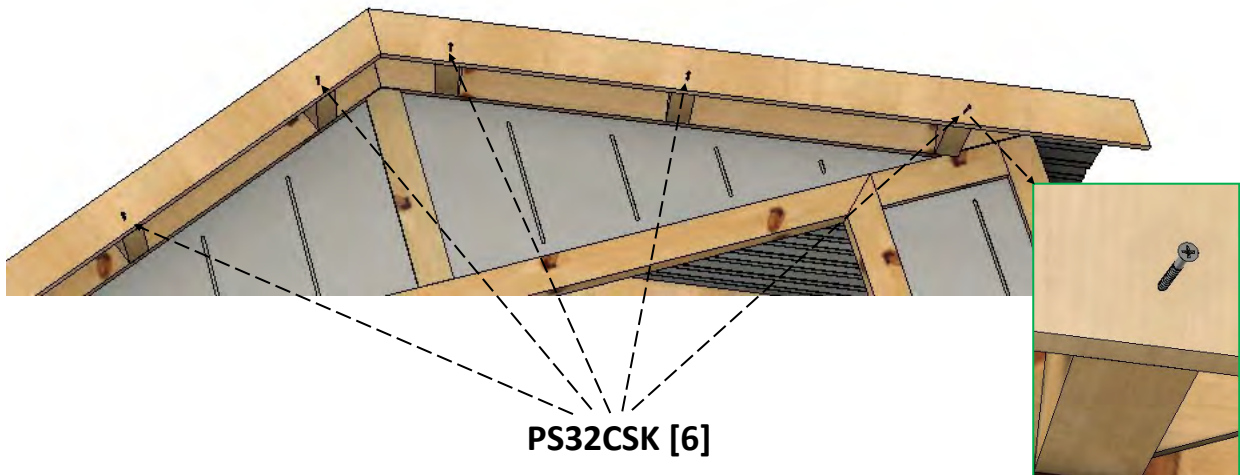
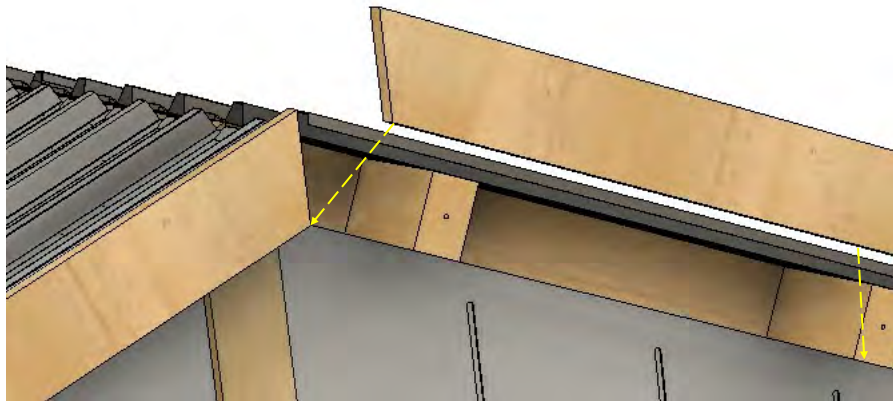
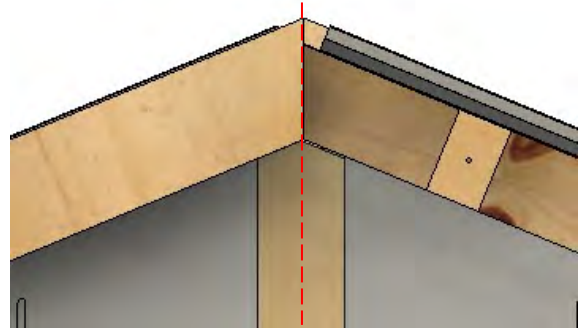
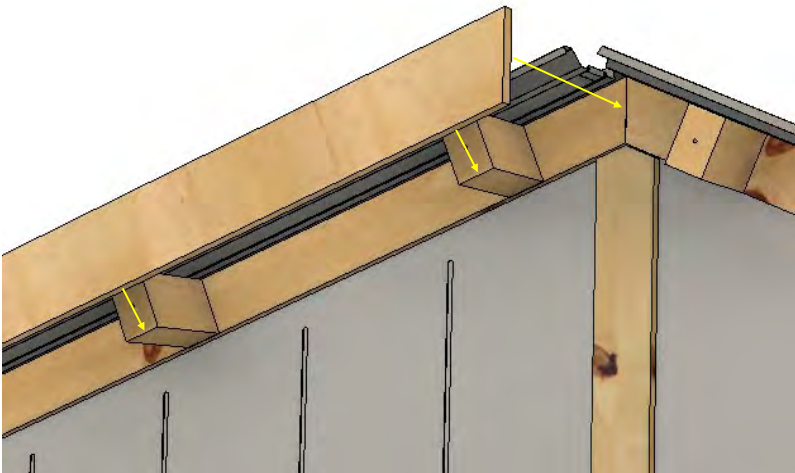


RS50 MO/SM [3] x [4]



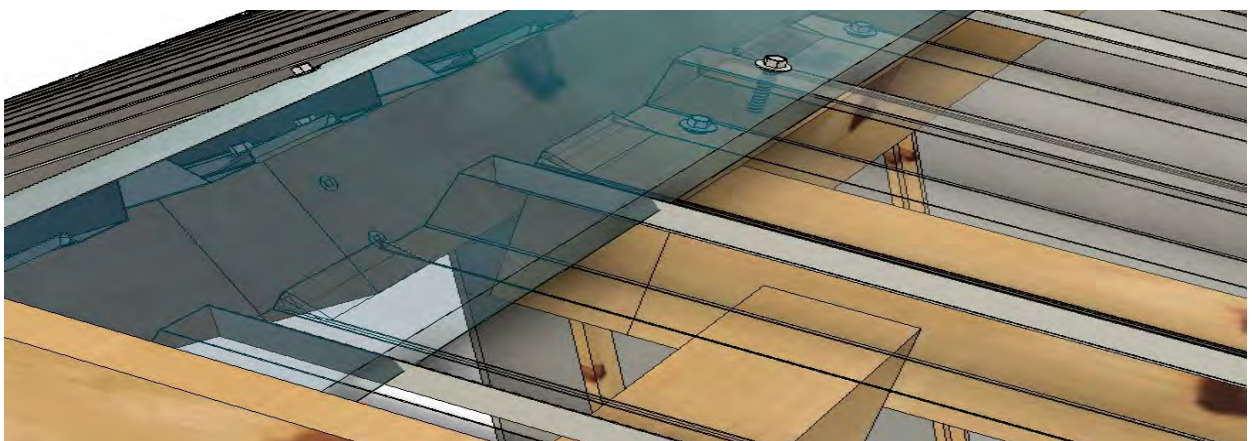
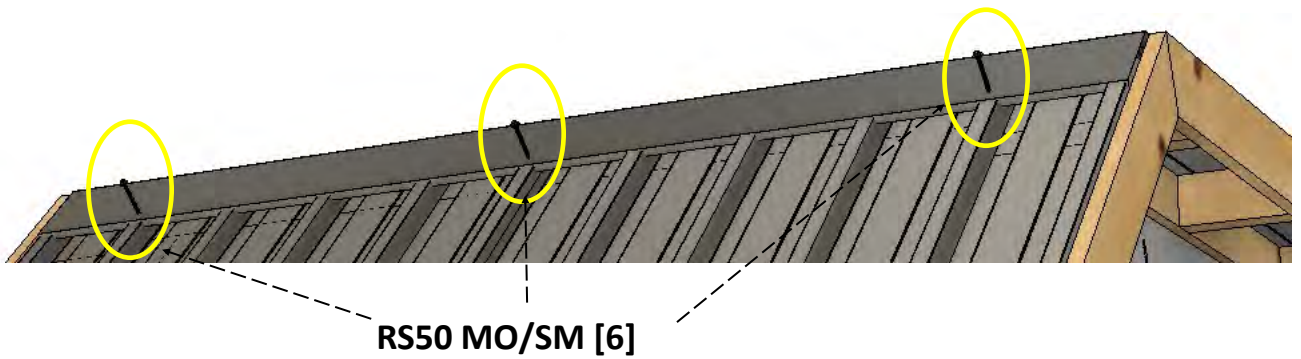
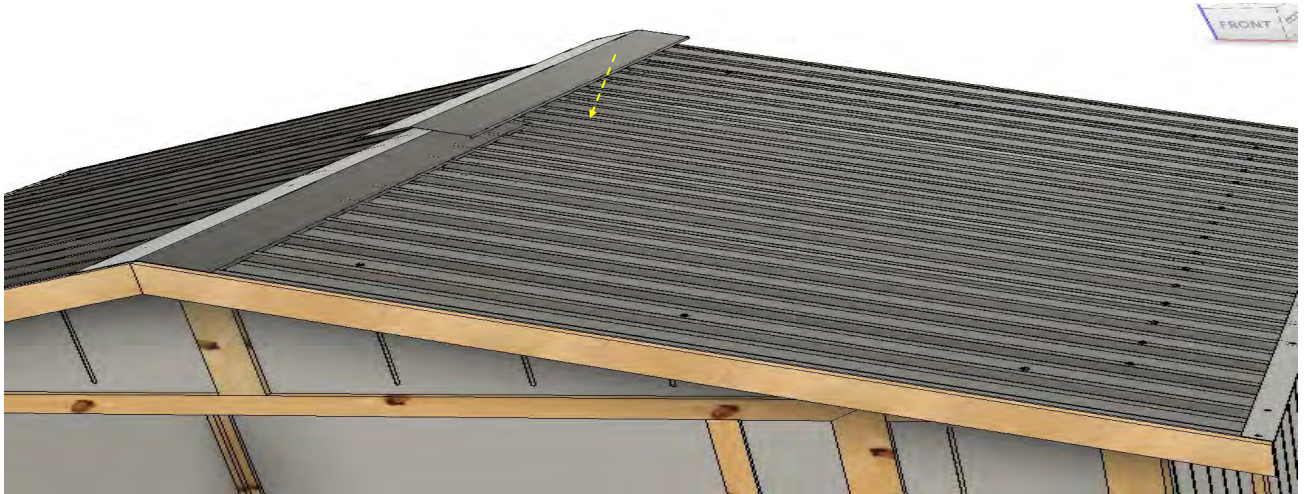
Gable assembly

<p>15</p>	<p>[4]</p>  <p>F1500</p>	<p>[24]</p>  <p>PS32CSK</p>
-----------	---	--



Ridge Cap


<p>16</p>	<p>[2]</p>  <p>RC1200 MO/SM</p>	<p>[6]</p>  <p>RS50 MO/SM</p>
-----------	--	--

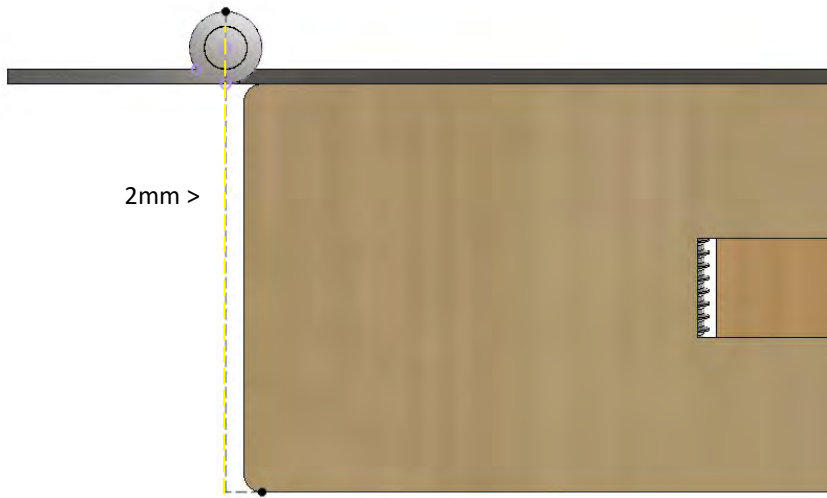
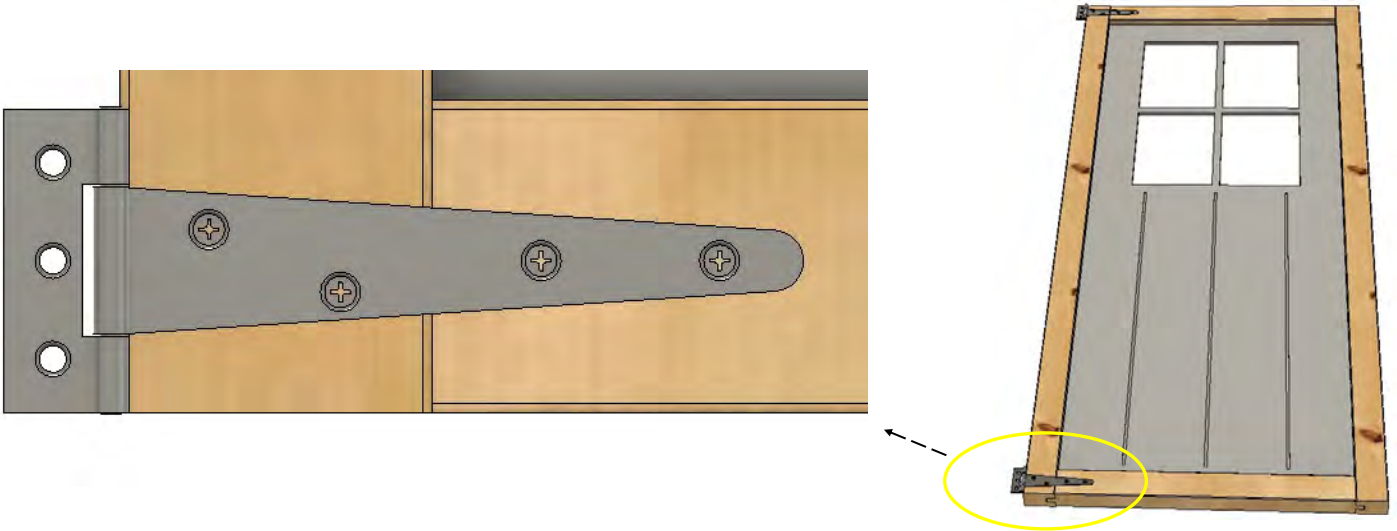


Remove Protective film from painted face of Ridge Caps. Place ridge caps into position carefully, avoid dragging or scratching.

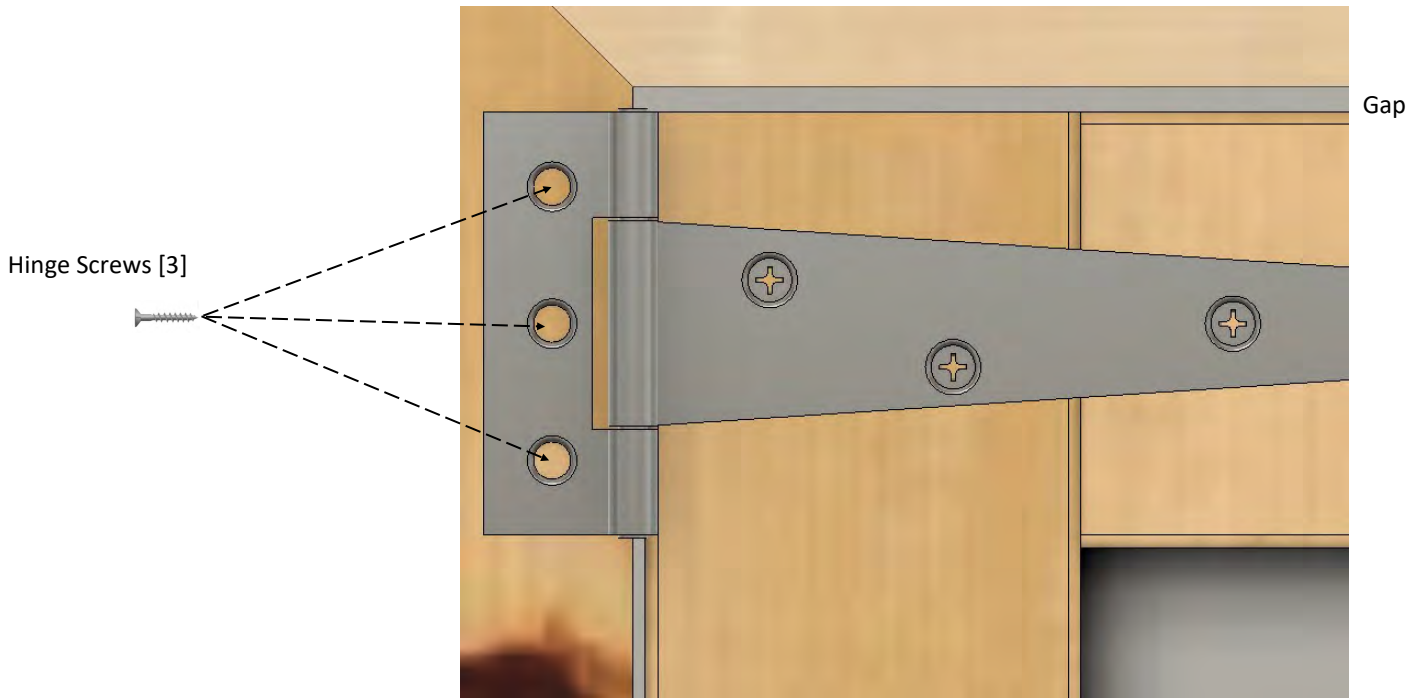
Make sure peak of ridge cap is in line with peak of fascia's. Screw through ridge cap into 2nd and 8th Ribs, from each end of the roof. Drive these screws through and into roof frame.

Door Hanging

17	[2]  Door Assy [L & R]	[2]  TH150B
----	---	--



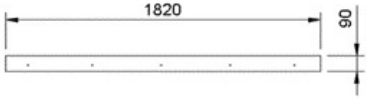



Left Hand shown—Right Mirrored.

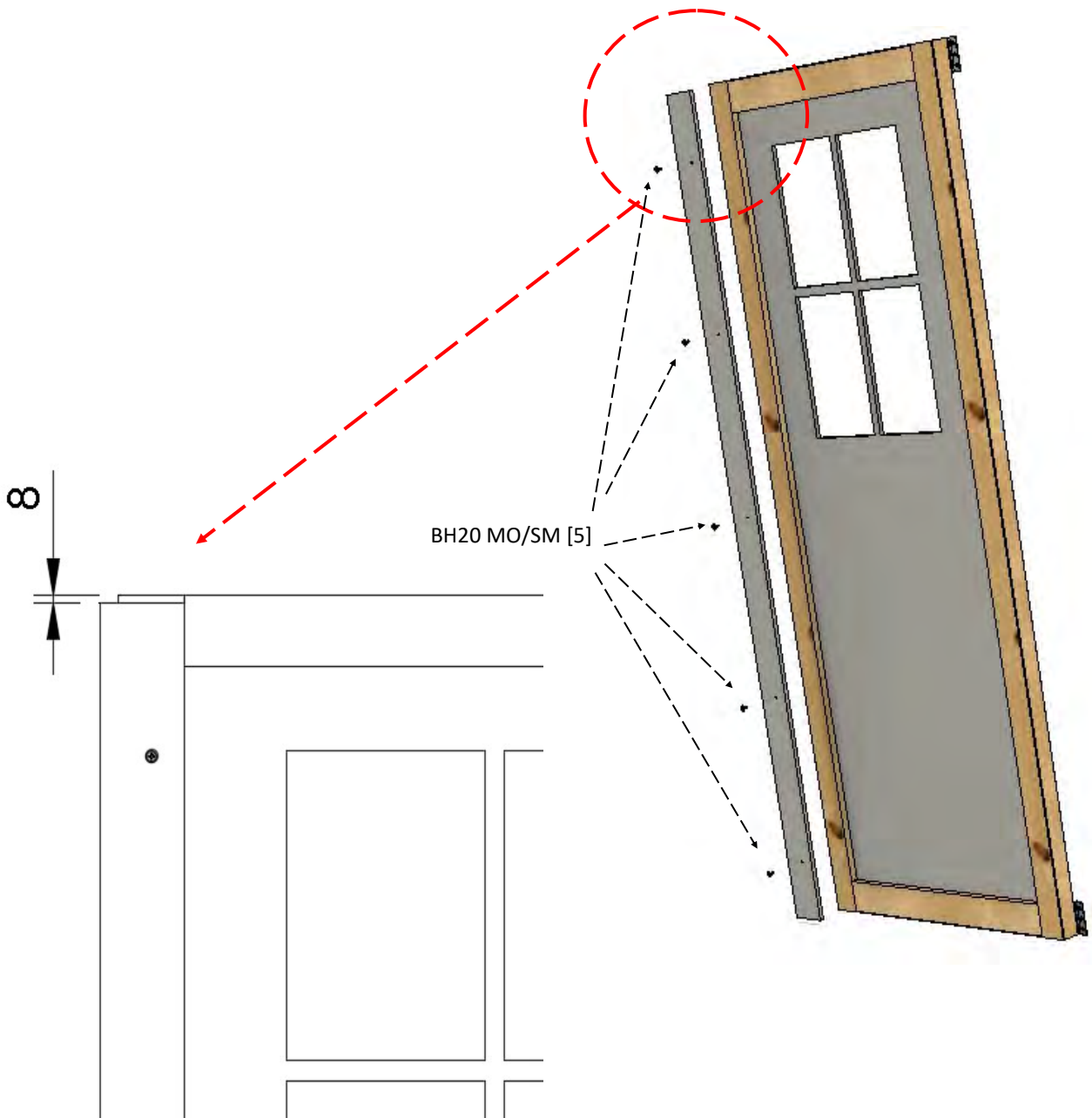


Top Hinge Shown—Bottom similar.

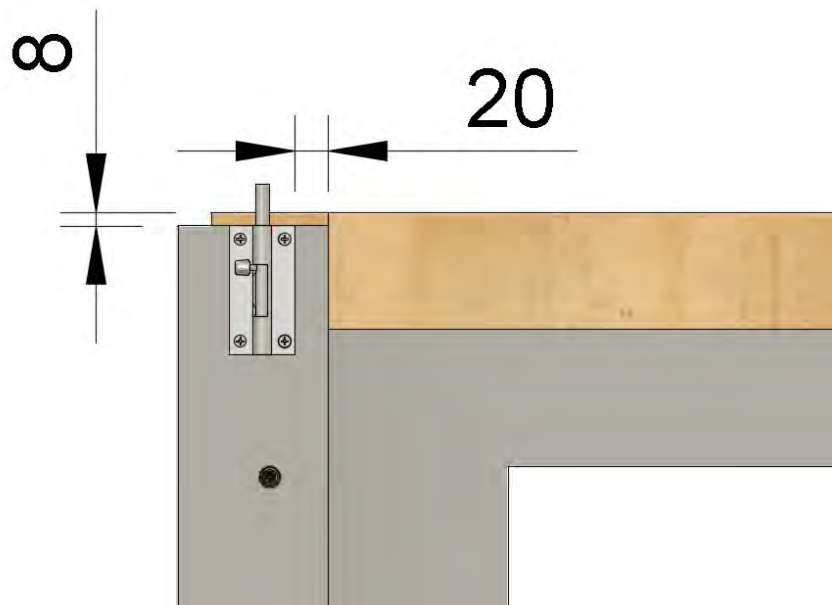


Door Furniture

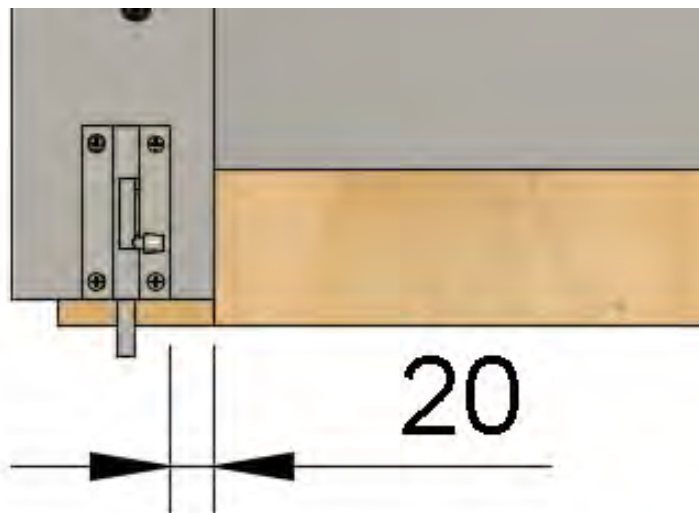
18	[1]  DS1820x90	[2]  BB100S	[1]  THB [Fixings Kit]
		[15]  FB20 MO/SM	



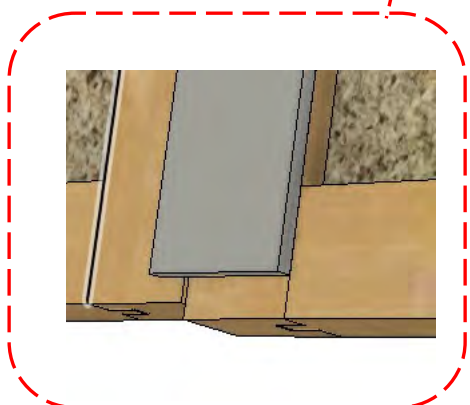
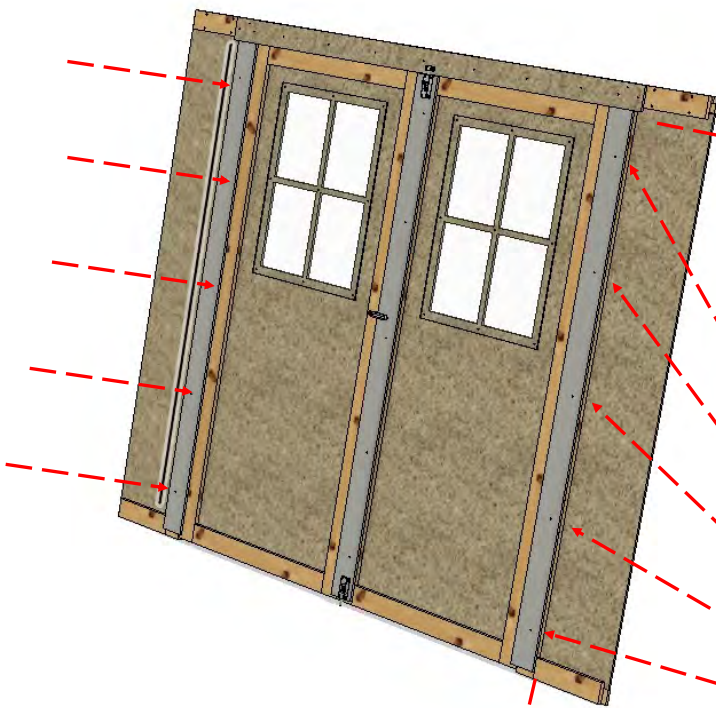
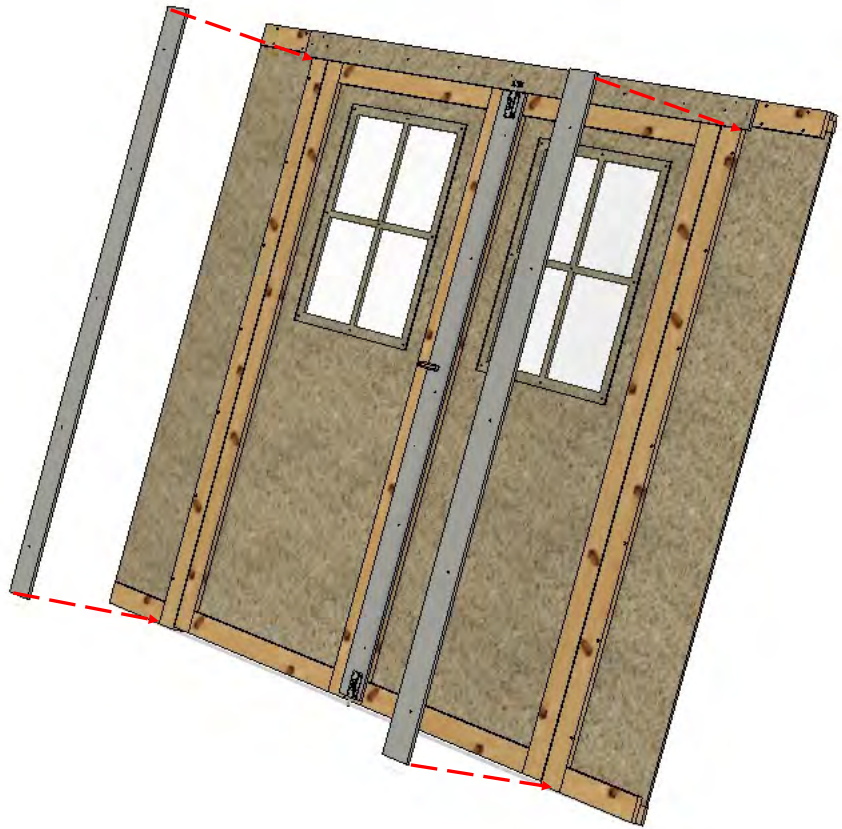
Upper drop bolt position



Lower drop bolt position

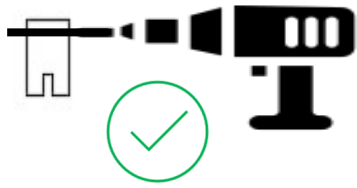


Side Door Stops, position

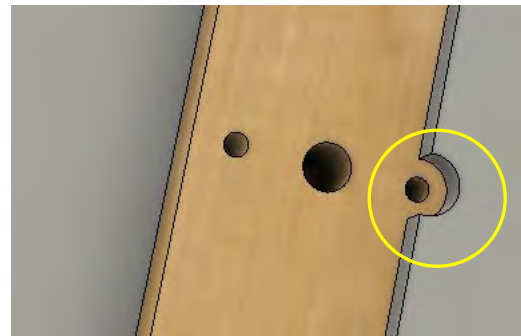
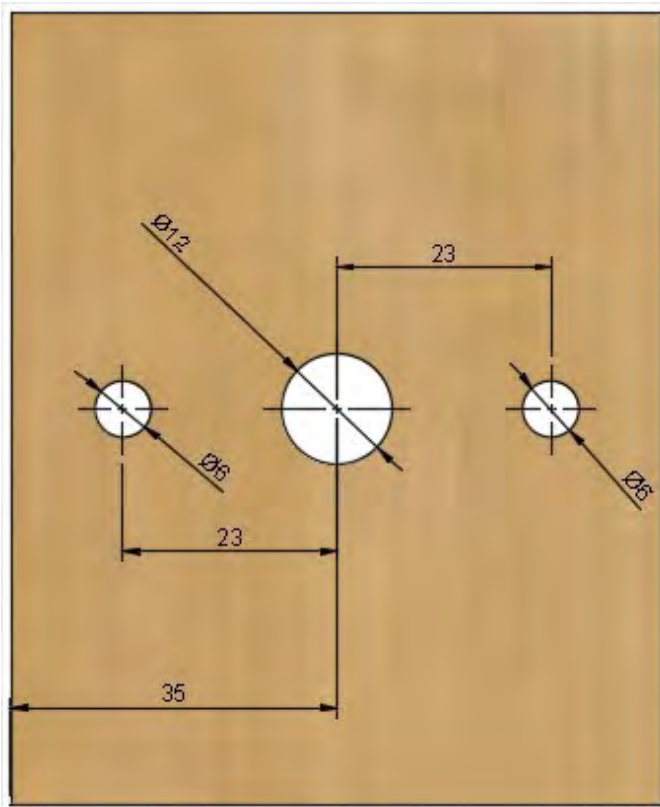
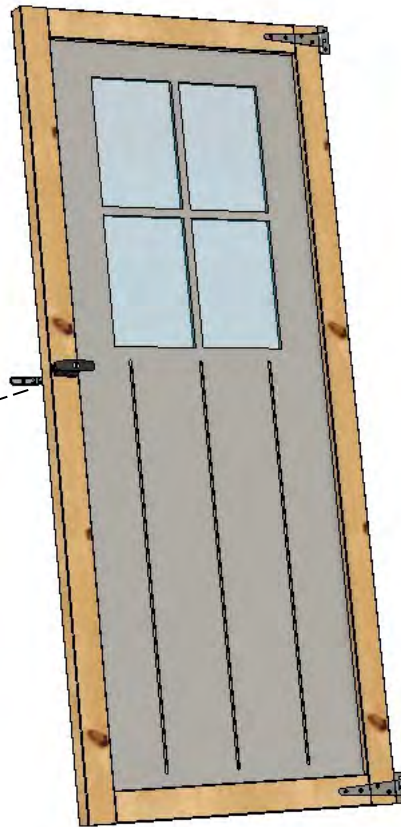


BH20—5 per DS1820

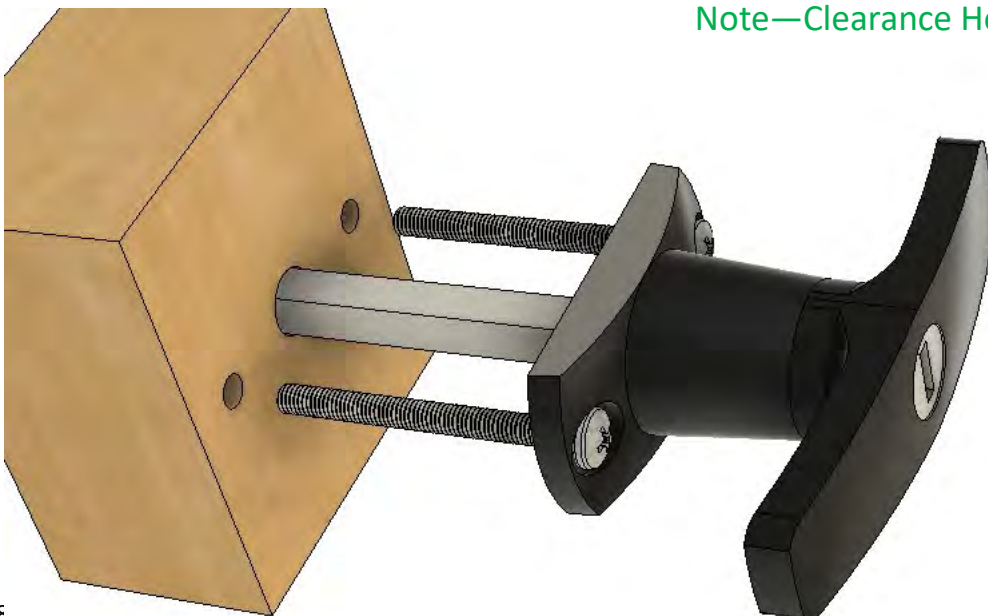
Lock Position

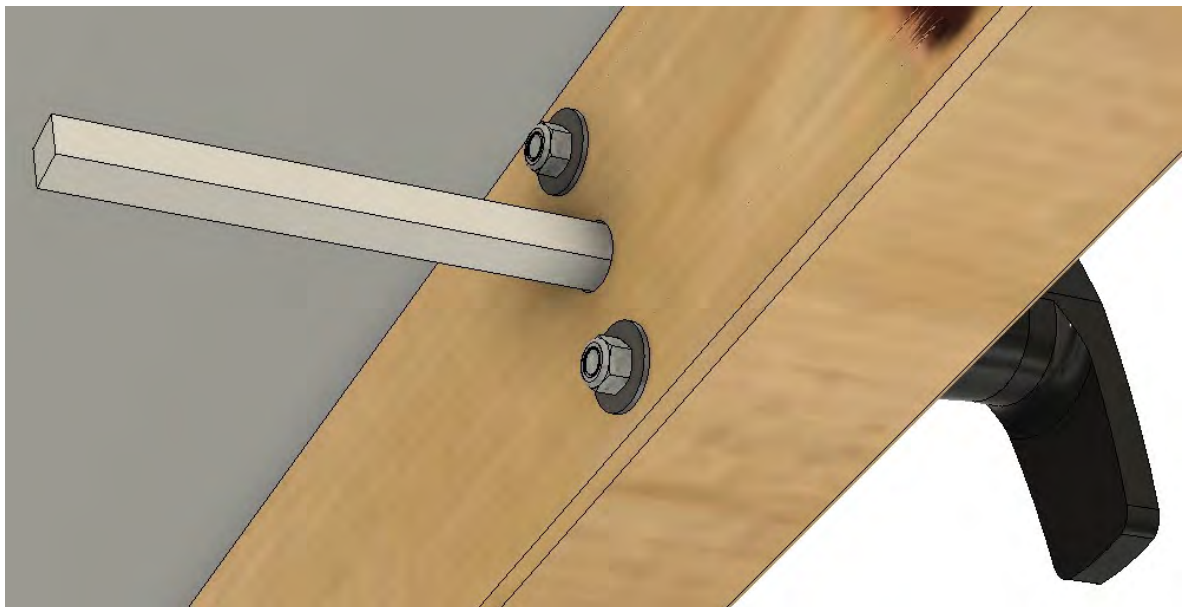
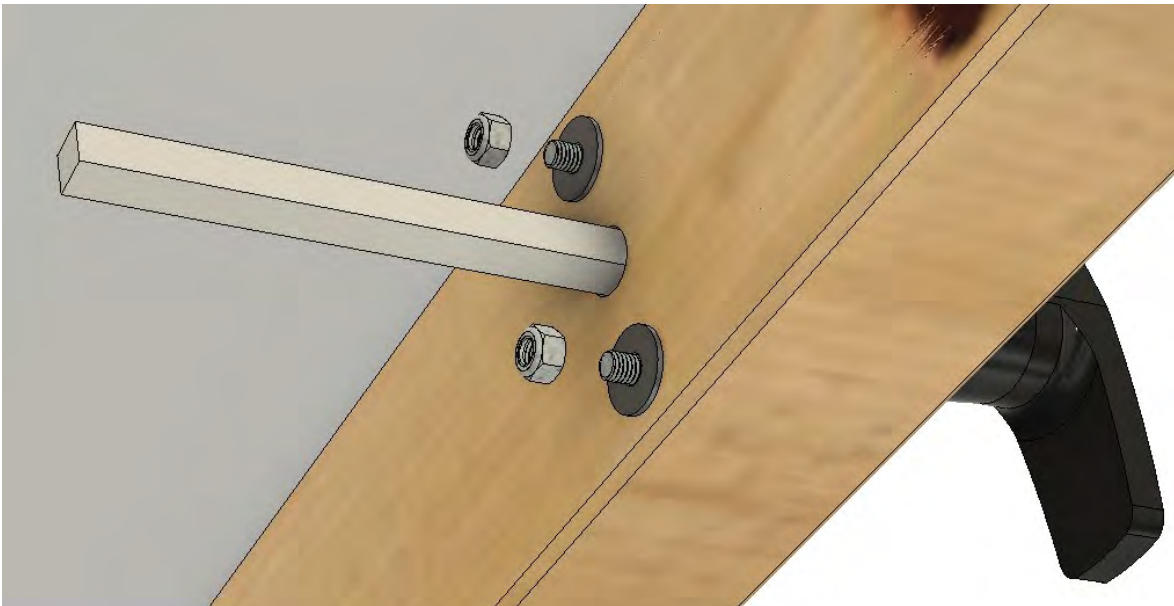
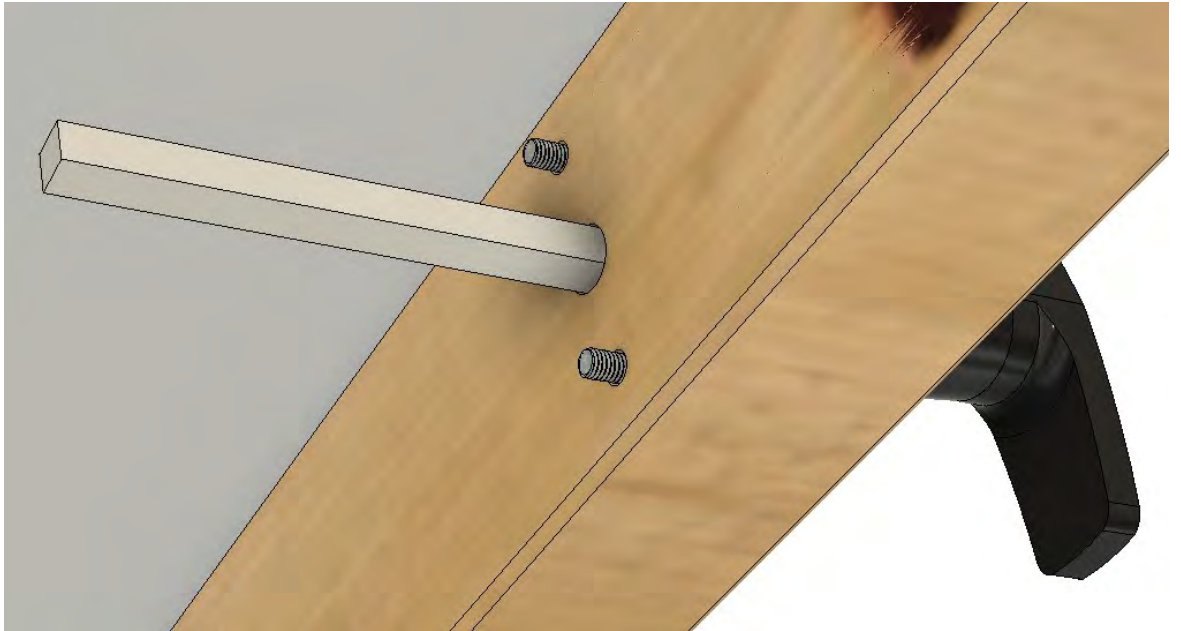


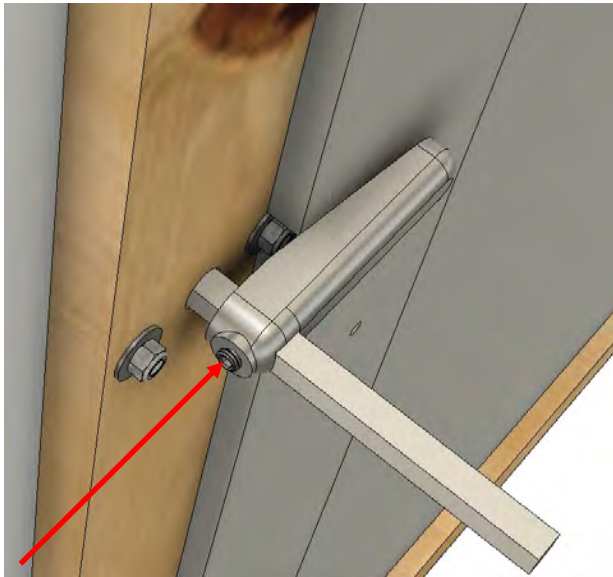
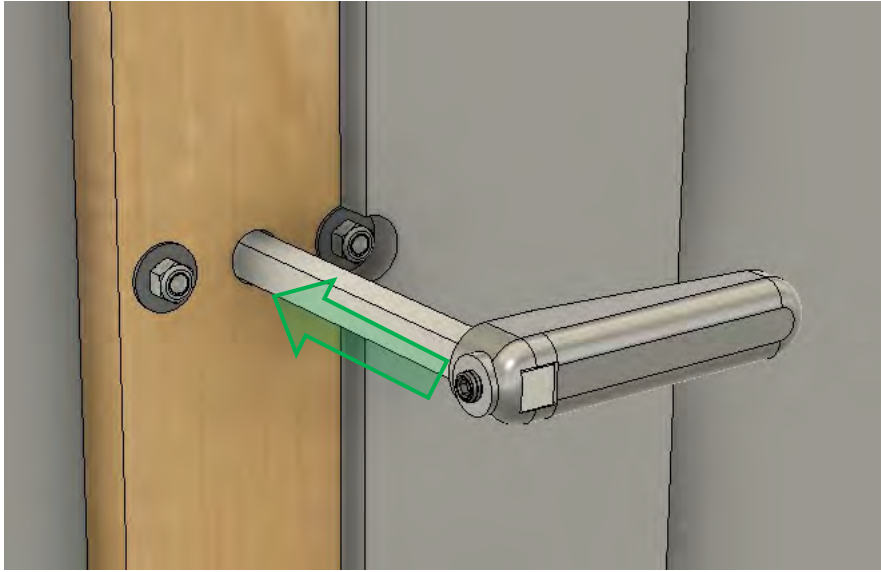
12mm and 2 x 6mm



Note—Clearance Hole in Door Stop required








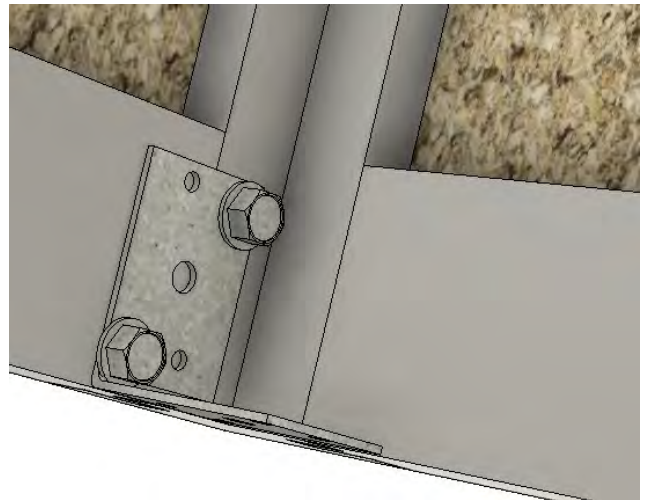
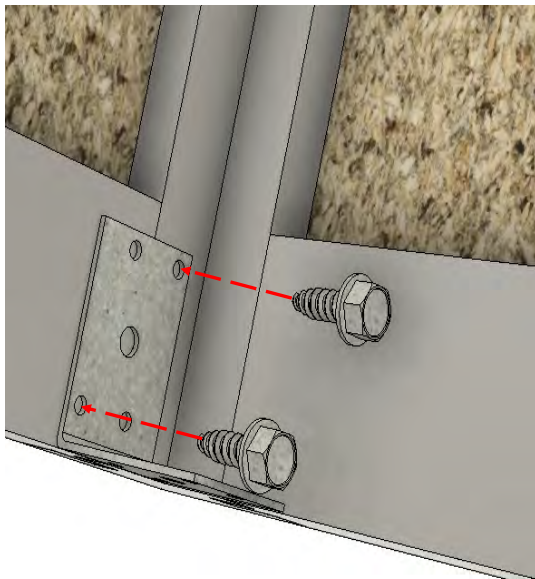
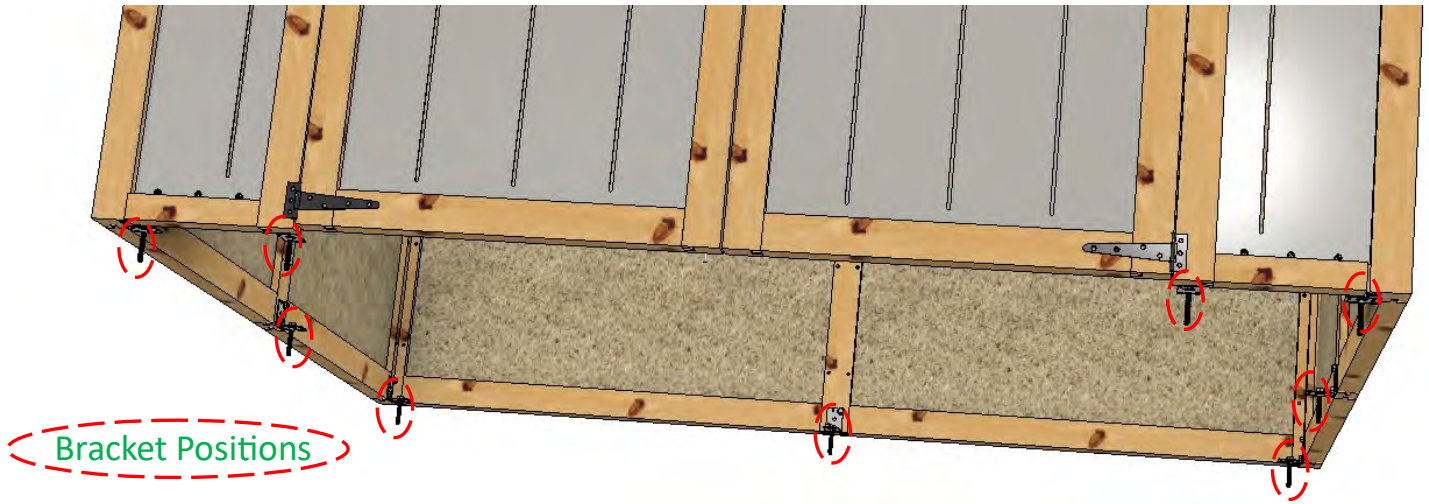


Optional: Trim excess length off Lock Square shaft.

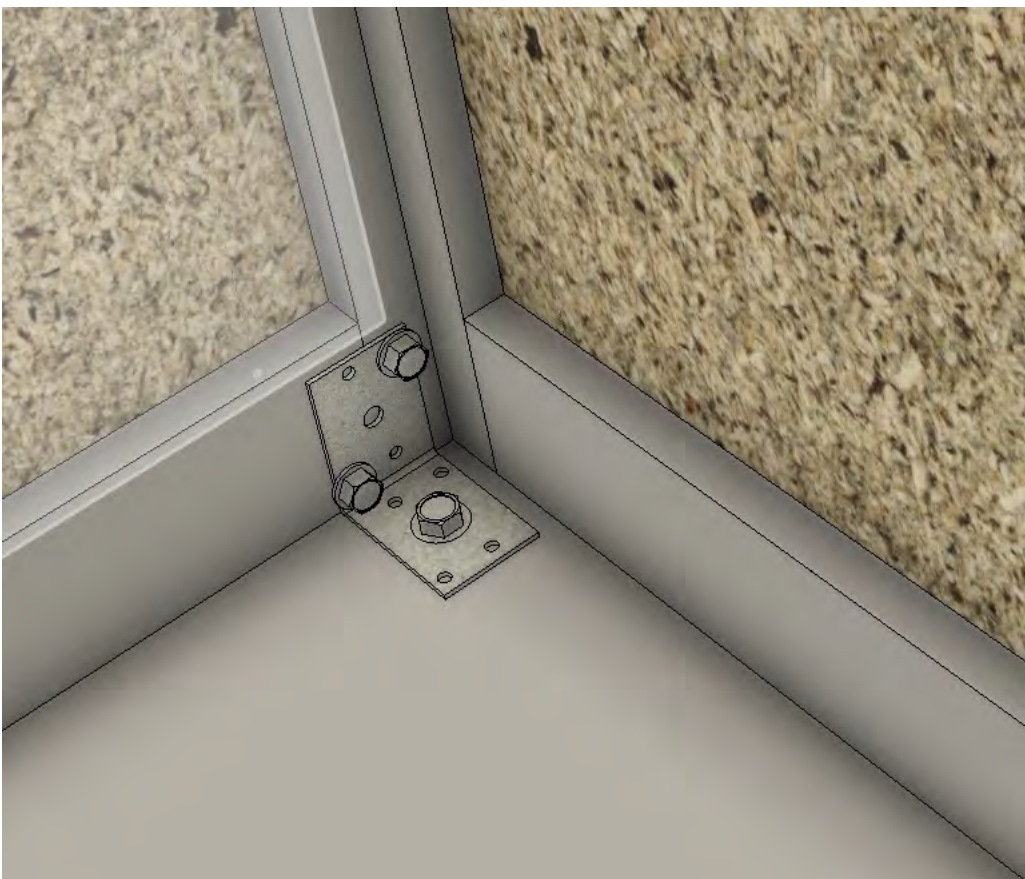
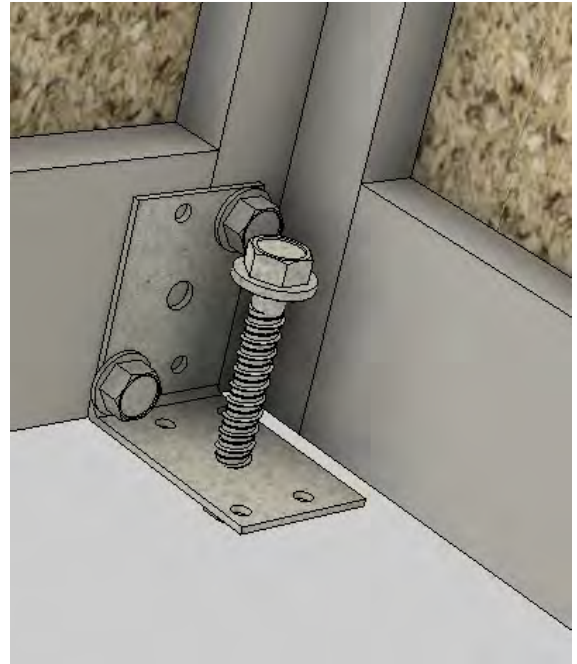


Anchor Kit



<p>19</p>	<p>[7]</p>  <p>BKT6040G</p>	<p>[7]</p>  <p>SB650</p>	<p>[14]</p>  <p>RS25</p>
-----------	--	--	---



Masonry Drill 5mm, 50mm Deep



Finishing Touches

<div style="border: 1px solid black; border-radius: 50%; width: 40px; height: 40px; display: flex; align-items: center; justify-content: center; margin: 0 auto;">20</div>	<p>[1]</p>  <p>TU MO/SM, Paint Touchup Monument / Surfmist 500ml</p>	<p>[1]</p>  <p>Sil-MO/SM, Silicone sealant 300ml – coloured</p>
--	--	---

Once fully assembled. Check for any blemishes to the paintwork. Touch-up paint provided in assembly kit. Once paint is dry, seal bottom and sides of panels with supplied Silicone sealant.

TO REGISTER YOUR WARRANTY

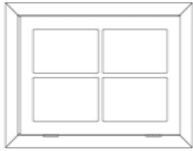

Thank-you for purchasing a STILLA product. To register your 10 year product warranty, please go to www.stilla.com.au/warranty and complete the online form. We recommend that you complete this step once you have finished installing your product.

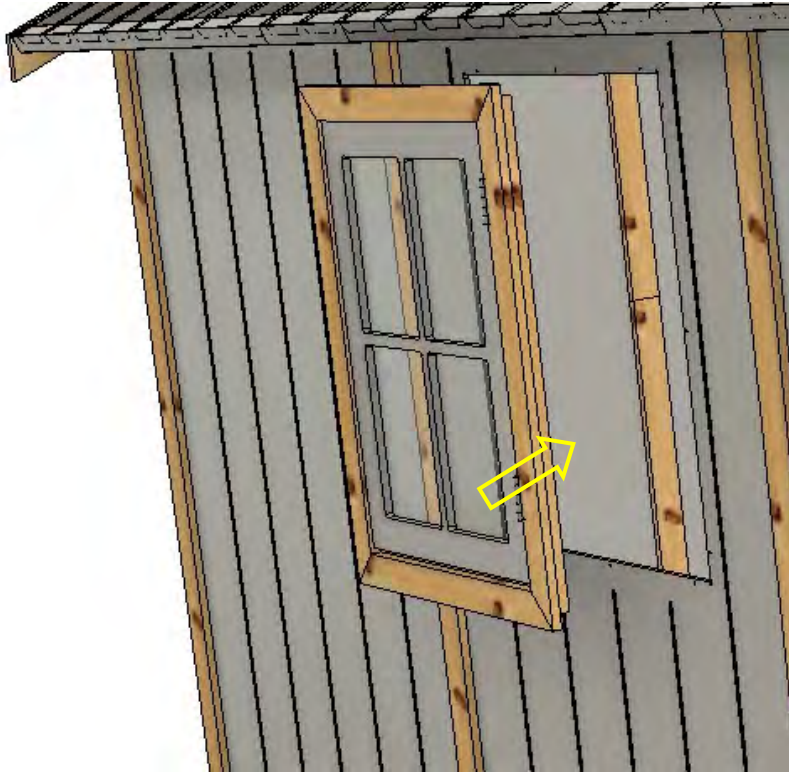
PLEASE NOTE THAT IF YOU DO NOT COMPLETE THIS WARRANTY REGISTRATION FORM – YOUR PRODUCT IS NOT COVERED BY WARRANTY.

PRODUCT MAINTENANCE

Paints and Sealant are Included in your installation kit. These can be purchased from Dulux paint stores or the paint section at Bunnings.

Optional—Opening Window

<p>21</p>	<p>[1]</p>  <p>Opening Window Assembly</p>	<p>[12]</p>  <p>FB20 MO/SM</p>
-----------	---	---



BH20 [12]

